



PELHAM & WHITE

## Laughlin 60" Clawfoot Tub

### Technical Information:

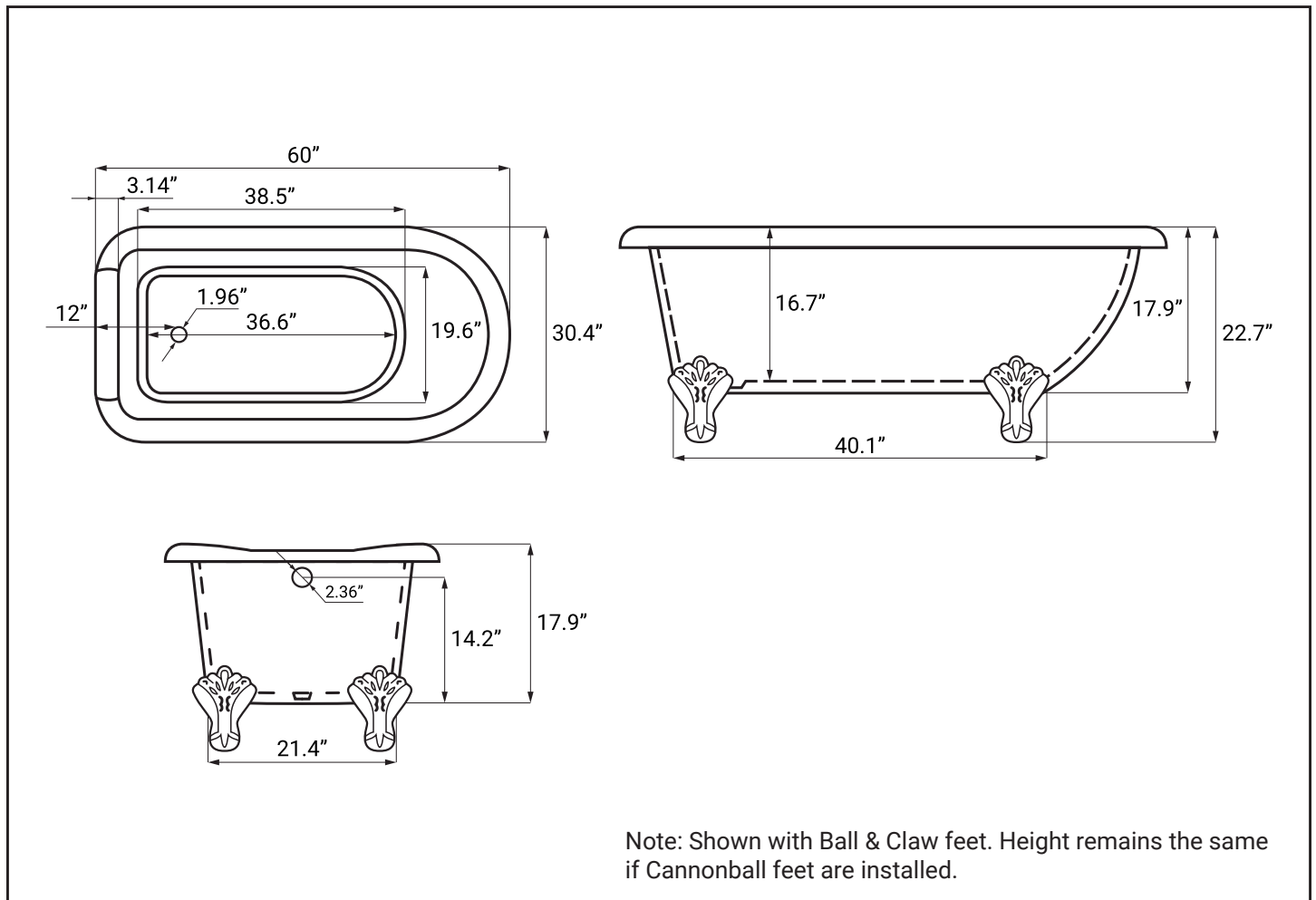
- **Material:** Cross-linked polymer acrylic
- **Solid-core:** Resin filled chamber
- **Capacity:** 48 gallons
- **Tub weight:** 91 lbs (empty), 483 lbs (filled)
- **Water depth:** 11.8"
- **Includes:** Cast aluminum-nickel alloy feet (4)
- **Includes:** Brass toe-tap drain w/ overflow
- Faucet not included
- **Toll-free helpline:** 855-561-5222



\* Representative model shown.

### Warranty Information:

Limited Manufacturer Warranty: Acrylic: 25-year; Metal Hardware: 5-year. Faucet: Lifetime  
See complete warranty statement for details.



All measurements are approximations and should be used for reference only. Pelham & White reserves the right to make specification and pricing changes without notice or obligation, and to change or discontinue models and finishes. All rights reserved. © 2022 Pelham & White.