

Eastchester 71" Freestanding Tub

Technical Information:

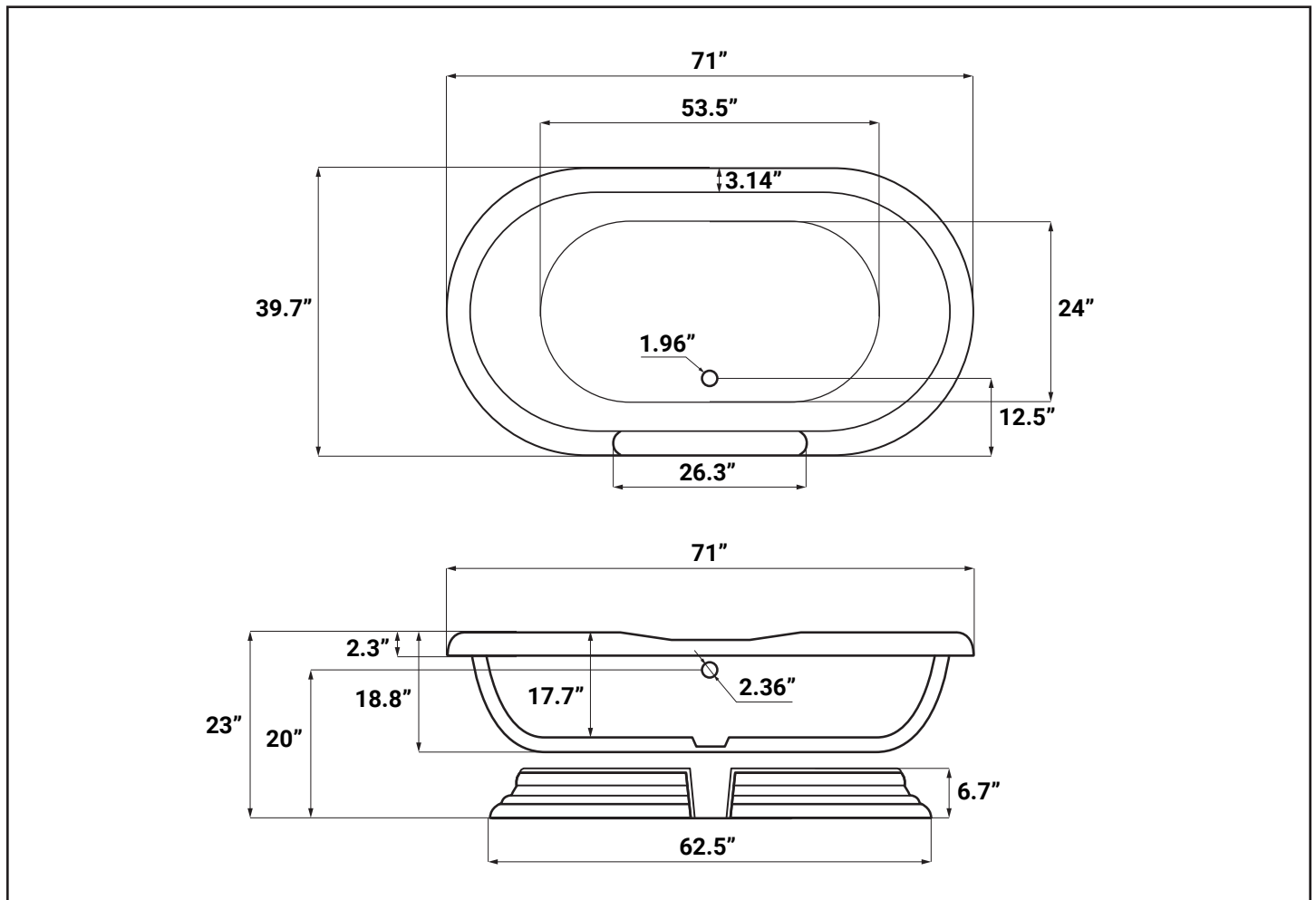
- **Material:** Cross-linked polymer acrylic
- **Solid-core:** Resin filled chamber
- **Capacity:** 85 gallons
- **Tub weight:** 143 lbs (empty), 847 lbs (filled)
- **Water depth:** 13.33"
- **Includes:** Matching acrylic plinth base
- **Includes:** Integral toe-tap drain w/ overflow
- Faucet not included
- **Toll-free helpline:** 855-561-5222

* Representative model shown.



Warranty Information:

Limited Manufacturer Warranty: Acrylic: 25-year; Metal Hardware: 5-year. Faucet: Lifetime
 See complete warranty statement for details.



All measurements are approximations and should be used for reference only. Pelham & White reserves the right to make specification and pricing changes without notice or obligation, and to change or discontinue models and finishes. All rights reserved. © 2023 Pelham & White.