

Dalton 60" Clawfoot Tub

Technical Information:

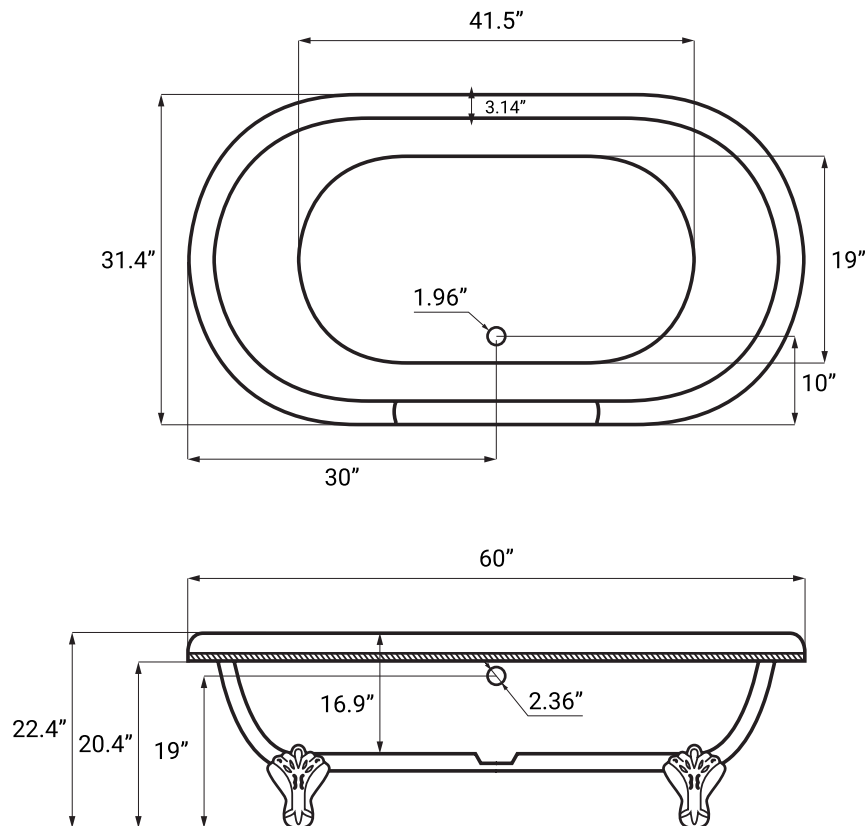
- **Material:** Cross-linked polymer acrylic
- **Solid-core:** Resin filled chamber
- **Capacity:** 56 gallons
- **Tub weight:** 98 lbs (empty), 560 lbs (filled)
- **Water depth:** 12.5"
- **Includes:** Cast aluminum-nickel alloy feet (4)
- **Includes:** Brass toe-tap drain w/ overflow
- Faucet not included
- **Toll-free helpline:** 855-561-5222



* Representative model shown.

Warranty Information:

Limited Manufacturer Warranty: Acrylic: 25-year; Metal Hardware: 5-year. Faucet: Lifetime
 See complete warranty statement for details.



Note: Shown with Ball & Claw feet. Height remains the same if Cannonball feet are installed.

All measurements are approximations and should be used for reference only. Pelham & White reserves the right to make specification and pricing changes without notice or obligation, and to change or discontinue models and finishes. All rights reserved. © 2022 Pelham & White.