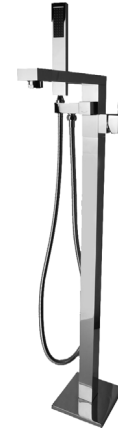




Contemporary Floor-Mount Tub Filler Single-Post Square with Handshower

Technical Information:

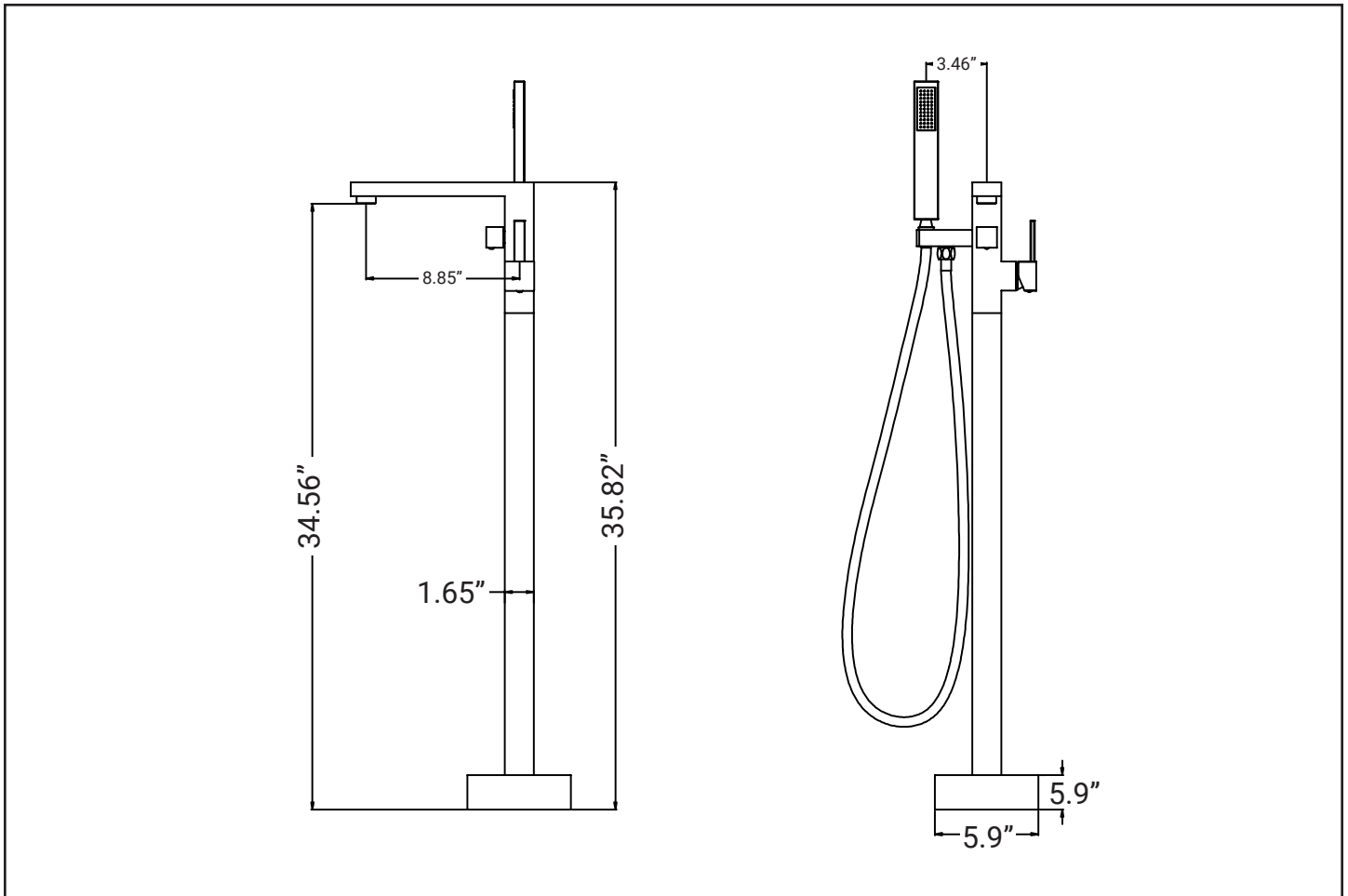
- **Installation Type:** Floor
- **Construction:** Faucet: Integral; Handshower: Integral
- **Cartridge:** Ceramic disc
- **Inlets:** 1/2" IPS
- **Faucet centers:** 8"
- **Flow rate (tub filler):** 5.28 GPM at 60 PSI
- **Flow rate (hand shower):** 1.75 GPM @ 60 PSI
- **Hand shower hose length:** 59"
- **Toll-free helpline:** 855-561-5222



* Representative model shown.

Warranty Information:

Limited Manufacturer Warranty: Acrylic: 25-year; Metal Hardware: 5-year. Faucet: Lifetime
See complete warranty statement for details.



All measurements are approximations and should be used for reference only. Pelham & White reserves the right to make specification and pricing changes without notice or obligation, and to change or discontinue models and finishes. All rights reserved. © 2023 Pelham & White.