



Wall-Mounted Vintage Tub Filler with Handshower

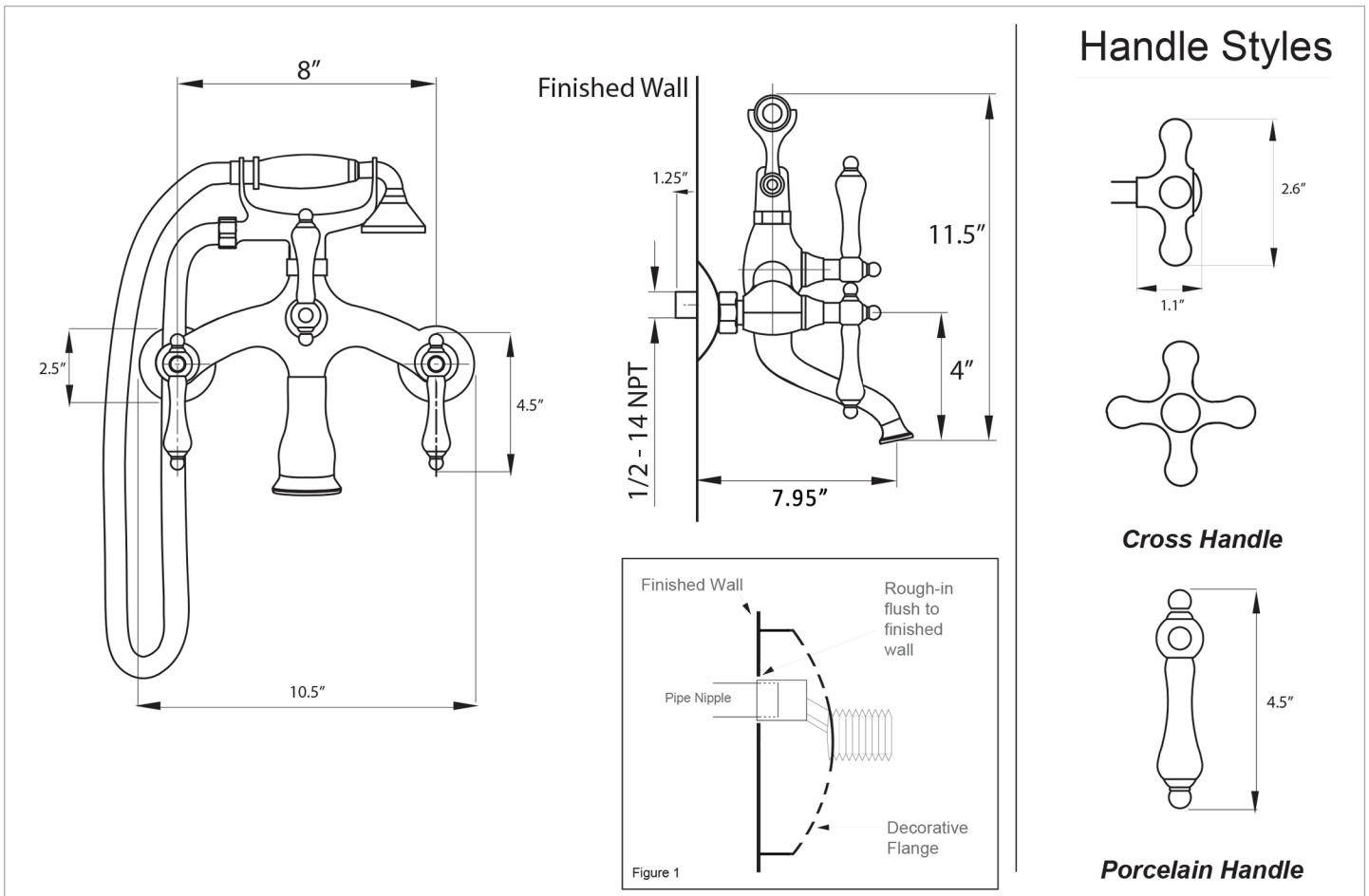
Technical Information:

- Installation Type: Wall
- Construction: Solid brass
- Cartridges: 1/4" turn ceramic disc
- Inlets: 1/2" IPS, double check valves
- Faucet centers: 8"
- Flow rate (tub filler): 6.1 GPM @ 45 PSI
- Flow rate (hand shower): 2.5 GPM @ 45 PSI
- Hand shower: included
- Hand shower hose length: 59"
- Toll-free helpline: 855-561-5222



Warranty Information:

Limited lifetime function and finish warranty to the original consumer purchaser covering defects in material and workmanship. 5 year limited warranty for all industrial and commercial applications. See complete warranty statement for details..



All measurements are approximations and should be used for reference only. Pelham & White reserves the right to make specification and pricing changes without notice or obligation, and to change or discontinue models and finishes. All rights reserved. © 2015 Pelham & White.

