



PELHAM & WHITE
Model: PWW131-D



MINIMUM CABINET SIZE:
AT LEAST

36" WIDE

Unpack and inspect your sink upon delivery to avoid costly contractor delays

Product Features

- High quality 16-Gauge 304 stainless steel alloy
- Sound deadening rubber pads and undercoating
- 10mm/0.4" radius corners for easy cleaning
- Includes finish matched stainless steel wire grid
- Includes finish matched stainless steel strainer drain

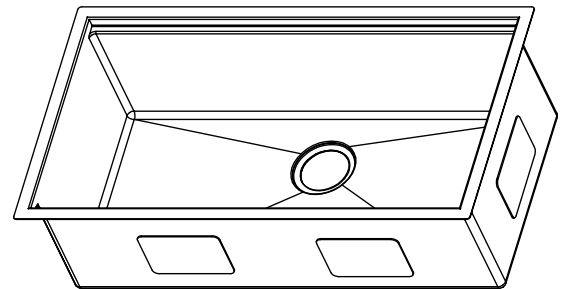
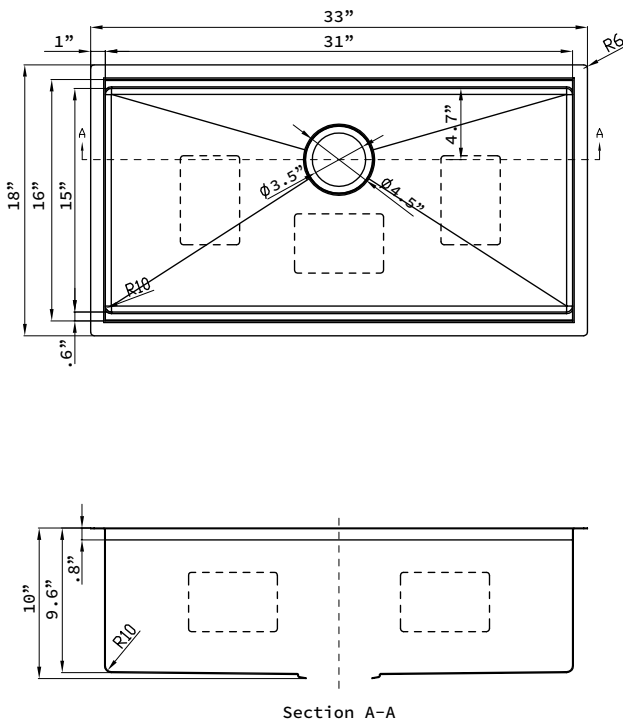


This sink is intended only for under-counter installations of solid-surface composite or natural stone countertops. It should never be installed in laminated countertops. Thus, specialized tools are required. It is highly recommended that this product be installed by professionals.



Observe all applicable plumbing codes in your municipality

Rough-In Dimensions





This sink is intended only for under-counter installations of solid-surface composite or natural stone countertops. It should never be installed in laminated countertops. Thus, specialized tools are required. It is highly recommended that this product be installed by professionals.

Installation

Observe all applicable plumbing codes in your municipality

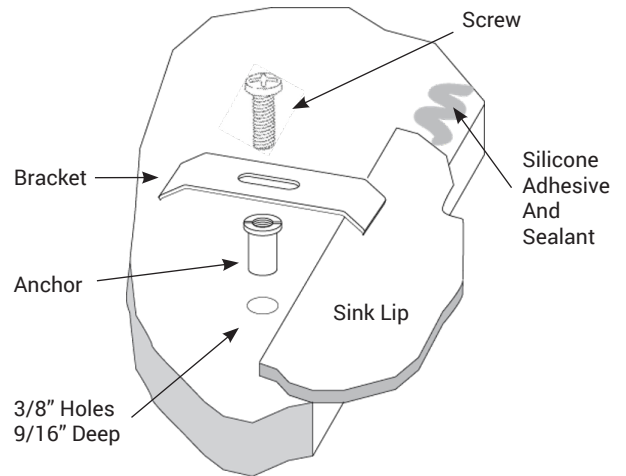
Installer:

Template supplied with product is for reference only. Be sure to double check with the actual sink before cutting opening. Be sure to properly allow clearance for the mounting hardware, faucet, and other sink accessories.

Mounting anchors and brackets have been supplied with this product, but it is always best to use your own preferred methods of sink securement and attachment, given the different applications and countertop materials that may be involved.

Mounting the faucet to the countertop before installing sink is highly recommended.

Underside of Countertop



Care

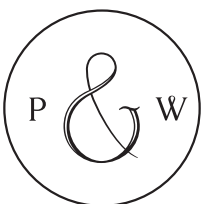
Stainless steel sinks are durable, but they do benefit from proper care. If you want your sink to always look it's best we recommend the following :

- Clean using a non-abrasive, mild detergent.
- Use only a sponge or soft cloth for cleaning.
- Avoid using steel wool for cleaning anything within the sink.
- Remove any cast iron or steel pans promptly after cleaning.
- Keep the sink clean, dry and empty when not in use.
- Don't leave sponges and other wet items in the sink.
- If you want to avoid water spots, wipe your sink dry after each use.

Warranty

Limited lifetime warranty on residential applications or limited one year for commercial applications extended to the original purchaser or owner covering defects in material and workmanship. Excluded is damage done to the surface by disregarding the care recommendations provided in the installation instructions, or improper installation. This warranty does not cover products not installed by a qualified professional installer. Warranty covers replacement of the defective product only and does not cover installation or other consequential costs or damages.

Pelham & White reserves the right to make specification and pricing changes without notice or obligation, and to change or discontinue models and finishes

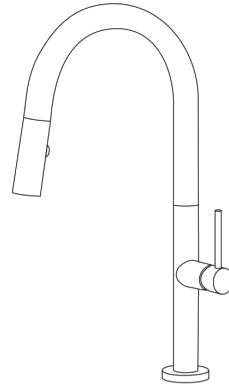


PELHAM & WHITE

548 South Columbus Avenue • Mount Vernon, New York 10550
1-855-561-5222 • www.pelhamandwhite.com

(09/10/21) All rights reserved. Copyright Pelham & White 2021.

HELPFUL TOOLS (NOT INCLUDED) / HERRAMIENTAS ÚTILES (NO SE INCLUYEN)



Tools you will need



Phillips Screwdriver



Safety Goggles

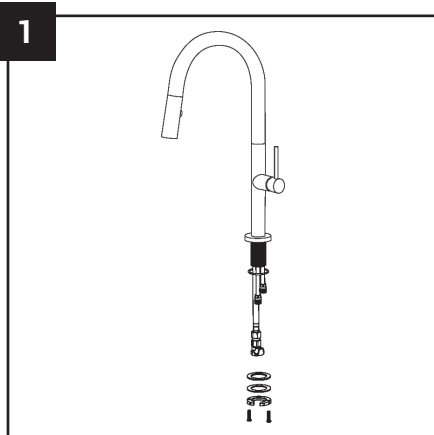


Silicone Sealant



Adjustable Wrench

ASSEMBLY INSTRUCTIONS / INSTRUCCIONES DE ENSAMBLAJE

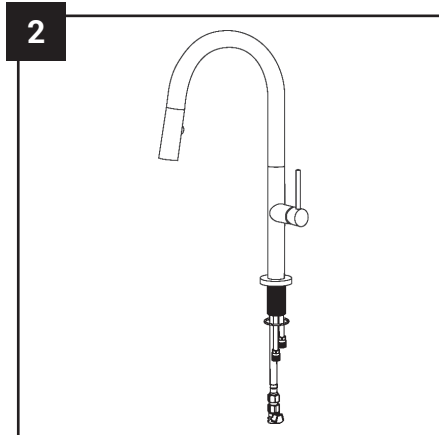


Step 1: Remove mounting

hardware: Remove the mounting screws, mounting nut, and rubber & metal washer from the mounting pipe

Étape 1: Retirer le support

matériel: retirez les vis de montage, l'écrou de montage et la rondelle en caoutchouc et en métal du tuyau de montage



Step 2: Faucet installation

For three-hole installation:

Install deck plate, base plate, and silicone sealant (optional)

For single-hole installation:

Install base plate

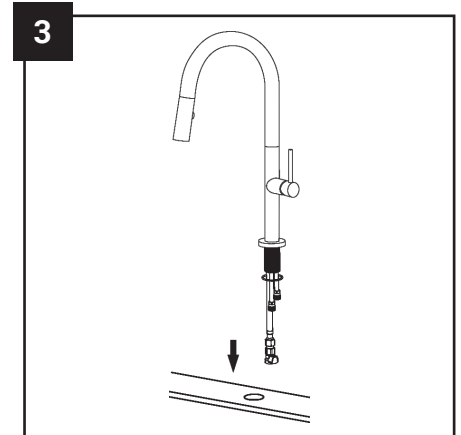
Étape 2: Installation du robinet

Pour une installation à trois trous:

Installez la plaque de pont, la plaque de base, et mastic silicone (facultatif)

Pour une installation monotrou:

Installer la plaque de base



Step 3: Install faucet body

Insert faucet body into hole in countertop or deck plate

Pre-drilled hole size:

1-3/8" (min) – 1-1/2" (max)

Max countertop thickness:

1-3/8"

Étape 3: Installer le corps du robinet

Insérez le corps du robinet dans le trou comptoir ou plaque de pont

Taille du trou pré-percé:

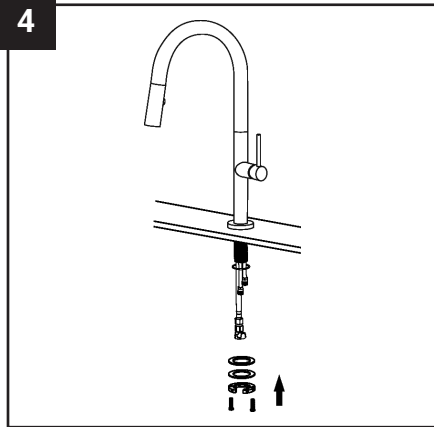
1-3/8" (min) – 1-1/2" (max)

Épaisseur maximale du comptoir:

1-3/8"

ASSEMBLY INSTRUCTIONS / INSTRUCCIONES DE ENSAMBLAJE

4

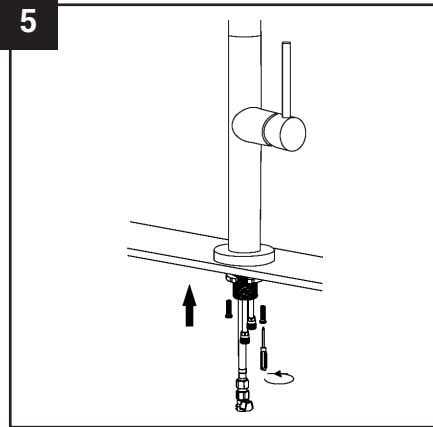


Step 4: Install mounting hardware: Install mounting hardware from underneath the countertop to the faucet

Étape 4: Installer le support
Matériel:

Installer le matériel de montage de dessous le comptoir au robinet

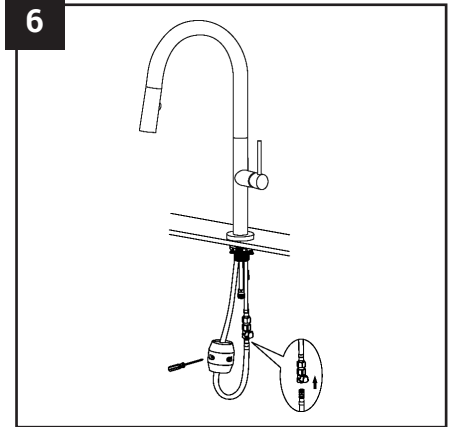
5



Step 5: Secure mounting hardware: Adjust direction of faucet body so that handle is on right side of faucet. Tighten mounting nut and mounting screws with Phillips screwdriver until snug

Étape 5: Fixez le matériel de montage: Ajustez la direction du corps du robinet de sorte que la poignée soit du côté droit du robinet. Serrez l'écrou de montage et les vis de montage avec un tournevis cruciforme jusqu'à ce qu'ils soient bien ajustés

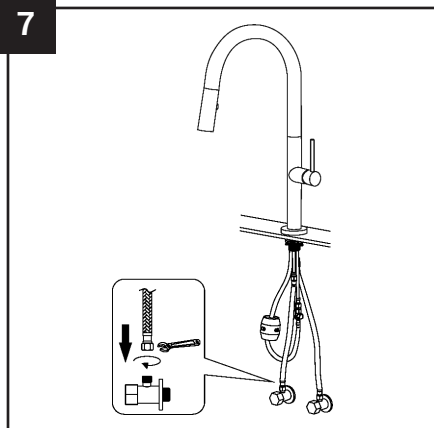
6



Step 6: Attach spray hose and counterweight: Connect spray hose and install weight on lowest vertical point on spray hose

Étape 6: Fixez le tuyau de pulvérisation et le contrepoids: connectez le tuyau de pulvérisation et installez le poids sur le point vertical le plus bas du tuyau de pulvérisation

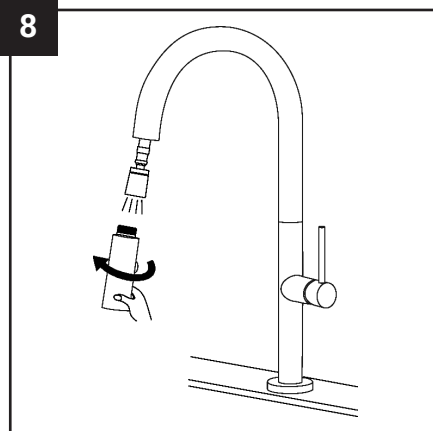
7



Step 7: Connect waterlines: Connect waterlines to hot and cold copper lines. Connect waterlines to angle stops. Tighten both ends of waterlines with a wrench until snug. Turn on hot and cold angle stops and check for leaks

Étape 7: Connecter les conduites d'eau: Connectez les conduites d'eau aux conduites de cuivre chaudes et froides. Raccordez les conduites d'eau aux butées d'angle. Serrez les deux extrémités des conduites d'eau avec une clé jusqu'à ce qu'elles soient bien ajustées. Activez les butées d'angle chaudes et froides et vérifiez les fuites

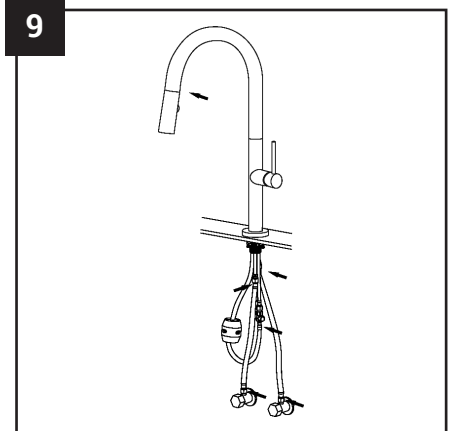
8



Step 8: Flush spray hose: Remove spray head from hose. Hold tip of hose. Turn faucet on and let the water run for 60 seconds to flush any debris

Étape 8: Rincer le tuyau de pulvérisation: Retirez la tête de pulvérisation du tuyau de pulvérisation. Tenez le bout du tuyau de pulvérisation. Ouvrez le robinet et laissez couler l'eau pendant 60 secondes pour éliminer les débris

9



Step 9: Check for leaks: Check for leaks at the connections. Retighten if necessary

Étape 9: Vérifiez les fuites: Vérifiez s'il y a des fuites au niveau des connexions. Resserrer si nécessaire

TROUBLESHOOTING / SOLUCIÓN DE PROBLEMAS

PROBLEM PROBLEMA	POSSIBLE CAUSE CAUSA POSIBLE	CORRECTIVE ACTION ACCIÓN CORRECTIVA
<p>Leak from under handle. Goteo debajo de la llave.</p>	<p>Damaged cartridge. El cartucho está dañado.</p>	<p>Remove handle. Replace cartridge. Retire la manija. Reemplace el cartucho.</p>
<p>Inconsistent water flow pattern. El flujo de agua es irregular.</p>	<p>Cartridge needs to be replaced. Se necesita reemplazar el cartucho.</p>	<p>Remove handle assembly, trim cap and locking nut. Take out existing cartridge and discard. Replace with new cartridge and reassemble. Retire el ensamble de la manija, la tapa para el reborde y la contratuerca. Saque el cartucho existente y deséchelo. Reemplácelo por un nuevo cartucho y vuelva a ensamblar.</p>

CARE AND MAINTENANCE / CUIDADO Y MANTENIMIENTO

- Clean periodically with a soft cloth. Avoid abrasive cleaners, steel wool, and harsh chemicals as these will dull the finish and void your warranty.
- Limpie periódicamente con un paño suave. Evite utilizar limpiadores abrasivos, lana de acero y químicos agresivos, ya que pueden dañar el acabado y anular la garantía.

WARRANTY / GARANTÍA

The manufacturer warrants this faucet to be free from defects in workmanship and material present at time of shipment from the factory for a limited lifetime from the date of purchase. This warranty applies only to the original purchaser. The manufacturer agrees to correct such defects at no charge or, at our option, replace the faucet with a comparable or superior model. You may be required to present a copy of your sales receipt as proof of purchase. All cost of removal and reinstallation are the expressed responsibility of the purchaser. Any damage to the faucet by accident, misuse or improper installation, or by affixing accessories not produced by the manufacturer, are the purchaser's responsibility. The manufacturer assumes no responsibility whatsoever for faucet installation during the warranty period. There is no further expressed warranty. The manufacturer disclaims any and all implied warranties. The manufacturer shall not be liable for incidental, consequential or special damages arising at or in connection with product use or performance except as may otherwise be accorded by law. This warranty gives you specific legal rights, and you may also have other rights which vary from state to state, province to province. This warranty supersedes all prior warranties.

El fabricante garantiza que este grifo no presenta defectos en la mano de obra ni en los materiales presentes en el momento del transporte desde la fábrica durante un período limitado de por vida a partir de la fecha de compra. Esta garantía es válida sólo para el comprador original. El fabricante acepta reparar dichos defectos sin cargo o, según nuestro criterio, reemplazar el grifo por un modelo comparable o superior. Es posible que se le exija presentar una copia del recibo de venta como comprobante de compra. Todos los costos de extracción y reinstalación son de responsabilidad explícita del comprador. Cualquier daño al grifo producido por accidente, uso indebido o instalación incorrecta, o a causa del uso de elementos accesorios que no son del fabricante, será responsabilidad del comprador. El fabricante no asume ningún tipo de responsabilidad por la instalación del grifo durante el período de garantía. No existe otro tipo de garantía explícita. El fabricante rechaza cualquiera y todas las garantías implícitas. El fabricante no se hará responsable por daños accidentales, resultantes o especiales que surjan en relación con el uso o el funcionamiento del producto, excepto que la ley indique lo contrario. Esta garantía le otorga derechos legales específicos, pero podría tener también otros derechos que varían de estado/provincia a estado/provincia. Esta garantía sustituye cualquier garantía previa.

REPLACEMENT PARTS LIST / LISTA DE PIEZAS DE REPUESTO

For replacement parts, call our customer service department.

Para obtener piezas de repuesto, por favor póngase en contacto con Servicio al Cliente.

