

Features

- Vitreous china
- Approved for commercial use
- Overflow hole location - Front
- Oval sink shape



PELHAM & WHITE

Oval Undermount Lavatory

Model# PWL1001

White

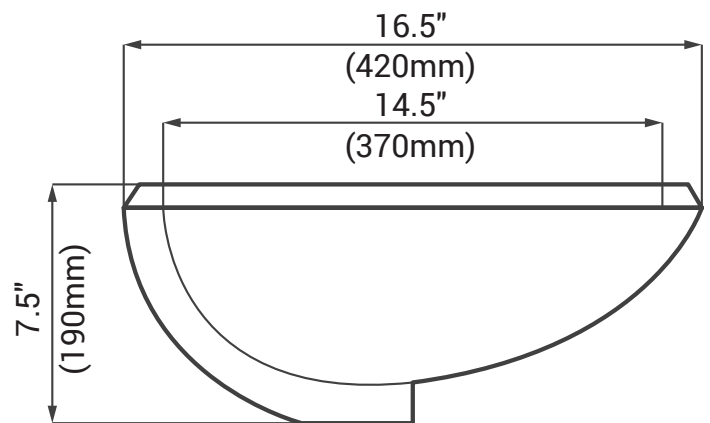
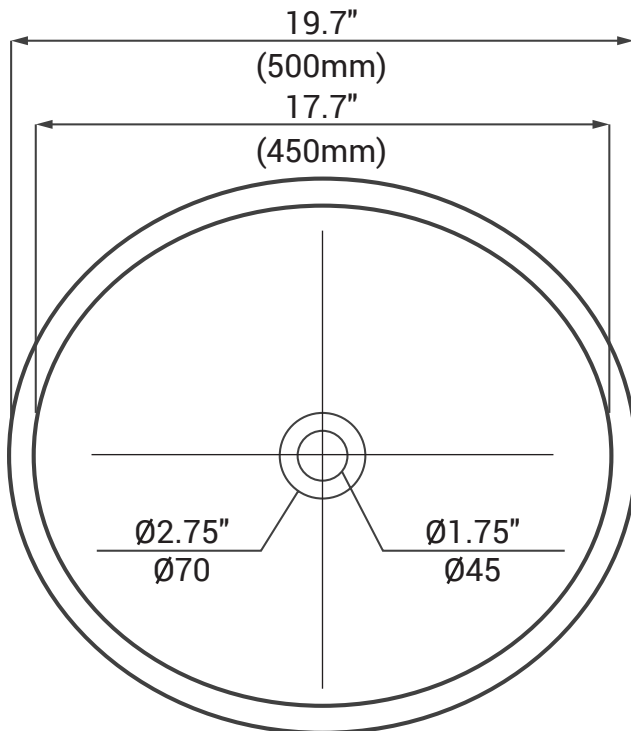
Codes and Standards

Specified model meets or exceeds:

- IAPMO/UPC Ceramic Plumbing Fixtures
- ASME A112.19.2 / CSA B45
- File Number 7096

Installation Notes

- Mounting hardware included



Warranty

Pelham & White products are manufactured with superior quality standards and workmanship and are backed by our limited lifetime warranty. Our limited lifetime warranty covers all residential applications and our limited one-year warranty covers all commercial applications. We will replace free of charge any product or parts that proves defective. Our warranties are extended exclusively to the original purchaser or owner covering defects in material and workmanship. Damage caused by accident, misuse, or abuse is not covered by this warranty, as is damage done by disregarding the care recommendations provided in the installation instructions, or improper installation.

Pelham & White reserves the right to make specification and pricing changes without notice or obligation, and to change or discontinue models and finishes