



PELHAM & WHITE UNDERMOUNT LAVATORY INSTALLATION GUIDE

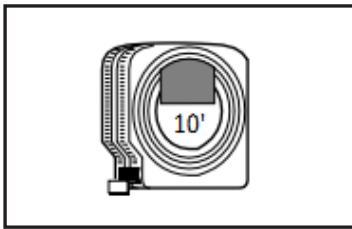
Unpack and inspect your lavatory upon delivery to avoid costly contractor delays



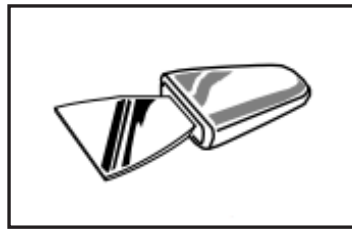
This sink is intended only for under-counter installations of solid-surface composite or natural stone countertops. It is highly recommended that this product be installed by professionals.



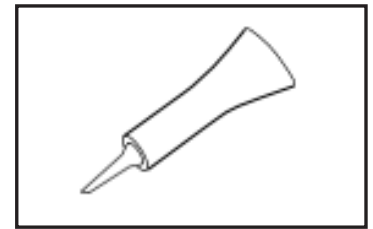
Recommended Materials & Tools



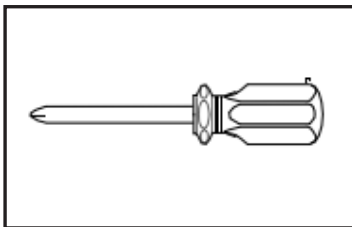
Tape Measure



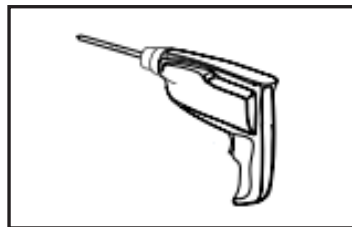
Putty Knife



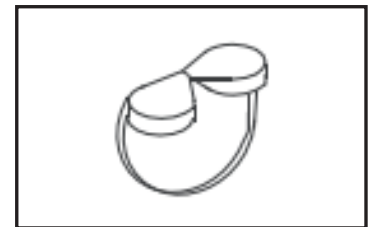
Silicone Adhesive



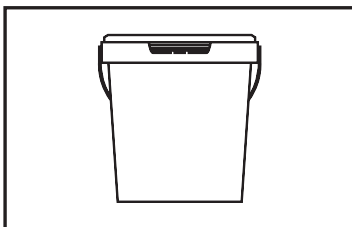
Phillips Screwdriver



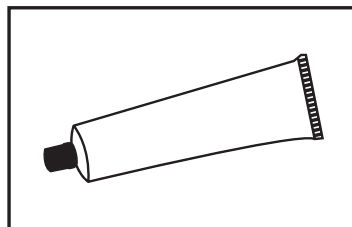
Drill



Safety Goggles



Sealing Putty



Epoxy Adhesive

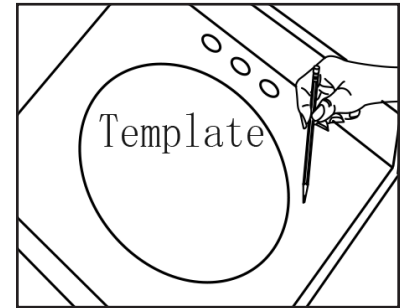
Lavatory Installation Guide

Step 1

MAKE A CUT-OUT

If making a cut-out is necessary, cut along the cut-out line in the template (A template is provided for locating the sink bowls and faucet holes). Lay the template on the countertop and trace the perimeter on the countertop with a pencil or crayon.

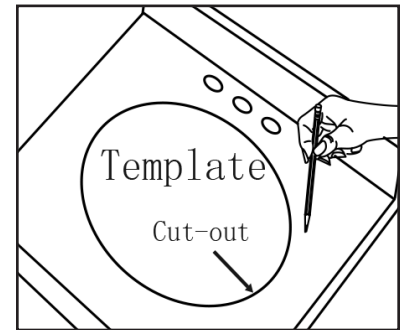
NOTE: If you are replacing an existing sink, make sure that you turn off water supply before removing the old lavat.



Step 2

CUT ALONG THE TRACE OF PERIMETER MARKED ON THE COUNTERTOP

Installer:
Template supplied with product is for reference only. Be sure to double check with the actual sink before cutting opening. Be sure to properly allow clearance for the mounting hardware. Mounting anchors and brackets have been supplied with this product, but it is always best to use your own preferred methods of sink securement and attachment, given the different applications and materials that may be involved.

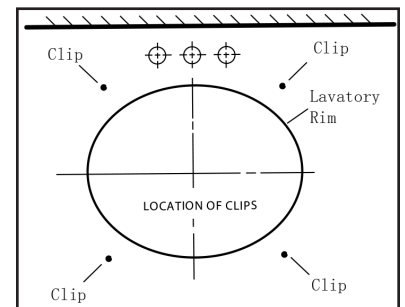


Step 3

LOCATING THE MOUNTING HOLES

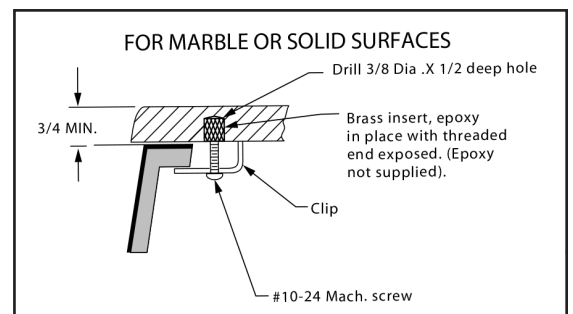
Lay the template on the underside of the countertop, mark the location of the mounting holes according to that is shown in the template (Total: 4 holes).

NOTE: Mounting holes are outside the perimeter of lavatory.



Step 4

Drill mounting holes & install mounting hardware

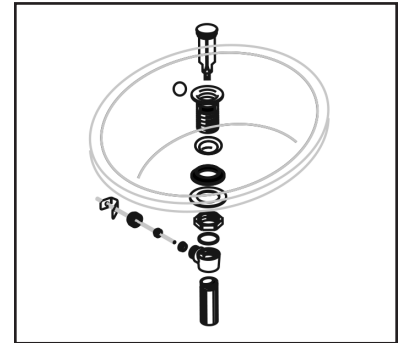


Step 5

MOUNT THE DRAIN ASSEMBLY

Following faucet's installation instruction, mount the drain assembly (not supplied) on the lavatory.

IMPORTANT: To ensure the watertight seal between lavatory and drain, make sure to apply a bead of sealing putty on the underside of the drain. Remove the excess putty after mounting drain on the sink.



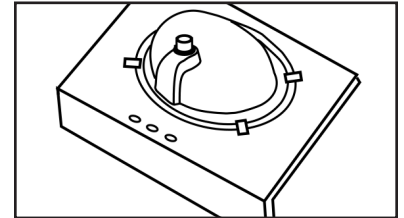
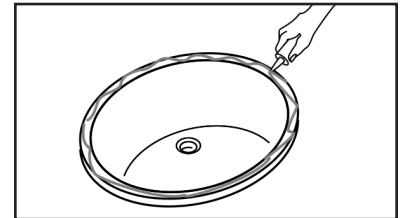
Step 6

INSTALL LAVATORY TO COUNTERTOP

Before install the sink to the countertop, installer must check the fit and alignment to cut out. Then, put a seal of caulk (such as silicone) on the rim of the sink to prevent water leak between countertop and lavatory.

NOTE: The rim of the lavatory has been polished. Tighten the four screws to secure the bowl to the underside of countertop and remove excess sealant from the inside lip.

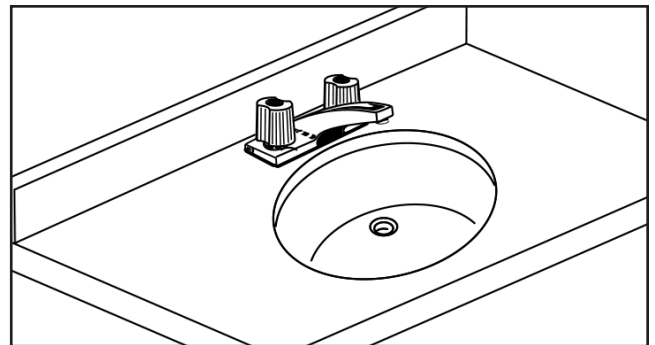
IMPORTANT: DON'T tighten the screws too much so as not to damage the lavatory rim.



Step 7

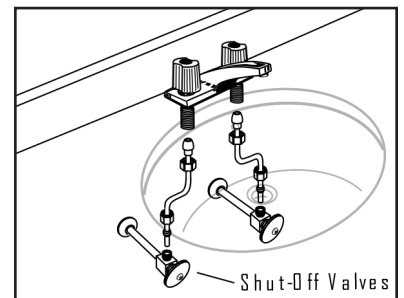
INSTALL FAUCET

Install the faucet according to faucet manufacturer's installation instruction.



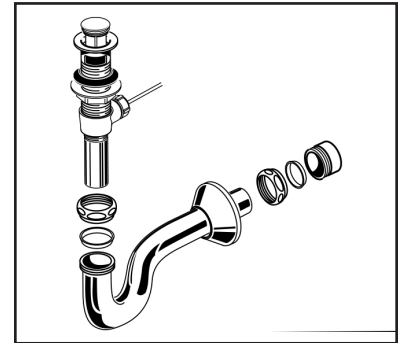
Step 8

Join (hot/cold water) supply line(s) to faucet as instructed by faucet manufacturer and make sure that the tubes are properly engaged to the supply shut-off valves. Tighten connections between shut-off valves and tubes with suitable tools.



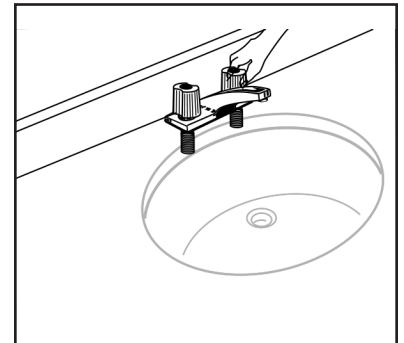
Step 9

Connect drain assembly to trap by hand tight and then check the alignment. Next, fasten the trap and the drain extension to the wall stub-out in the wall.



Step 10

Turn on water supply and open the shut-off valves and check all connections for water leaking.



Limited Warranty

Pelham & White products are manufactured with superior quality standards and workmanship and are backed by our limited lifetime warranty. Our limited lifetime warranty covers all residential applications and our limited one-year warranty covers all commercial applications. We will replace free of charge any product or parts that proves defective. Our warranties are extended exclusively to the original purchaser or owner covering defects in material and workmanship. Damage caused by accident, misuse, or abuse is not covered by this warranty, as is damage done by disregarding the care recommendations provided in the installation instructions, or improper installation. This warranty may not cover products not installed by a qualified professional installer. Our warranty covers replacement of the defective product only and does not cover installation or other consequential costs or damages. Proof of purchase (original sales receipt) from the original consumer purchaser must be made available for all Pelham & White warranty claims. Authorized Pelham & White representatives are not agents of Pelham & White, and no agent, dealer, or representative, salesperson or other person is authorized to change, modify, expand or extend the limited warranties contained herein, or to bind Pelham & White or any of its authorized representatives to be held for injury or damage to any person or property for any claim, regardless of manner in which claims arise. This warranty gives you specific legal rights, and you may also have other rights which vary from state to state. Some states do not allow the exclusions of limitations of incidental or consequential damages, so the above limitations or exclusions may not apply to you. For warranty claims or questions, contact Pelham & White at 855-561-5222. All measurements are approximations and should be used for reference only. Pelham & White reserves the right to make specification changes without notice or obligation, and to change or discontinue models and finishes. All rights reserved. © Pelham & White 2022.



PELHAM & WHITE

548 South Columbus Avenue • Mount Vernon, New York 10550
1-855-561-5222 • www.pelhamandwhite.com

(02/01/22) All rights reserved. Copyright Pelham & White 2022.