



PELHAM & WHITE

Owner's Manual & Installation Guide

Contemporary Tubs
Tub Filler Faucets

Note: Read all instructions before proceeding with installation. All specifications are subject to change without notice.



PELHAM & WHITE

Warranty

Pelham & White warrants, to the initial consumer purchaser, the surfaces of the bathtub and acrylic plinths to be free of defects in material and workmanship during normal residential use for a period of 25 years from the date of purchase. This warranty does not cover normal wear and tear or damage to the surface caused by the use of chemicals that break the structural bonds in the acrylic material (see cleaning & maintenance page). Damage caused by accident, misuse, or abuse is not covered by this warranty.

If any defects develop under the warranty from the date of purchase, we will, at our discretion, consider repairing or replacing the defective part(s). Improper use or installation will immediately void the warranty. No other liability or obligation is to be assumed. Proof of purchase (original sales receipt) must be provided to Pelham & White with all warranty claims. Pelham & White will not be responsible for labor charges and installation or any other consequential costs. In no event shall the responsibility of Pelham & White exceed the purchase price of the product.

Faucets

Pelham & White faucets come with a limited lifetime warranty. The warranty applies to defects in workmanship and finish. The above warranty does not apply to damages resulting from shipping, misuse, tampering, abuse or ordinary wear and tear. Warranty for finish is void if proper care is not demonstrated.

Drains, Feet, Plinths, & Cradles

Pelham & White drains, feet, plinths, cradles, and components are guaranteed to be free from defects in material, workmanship, and finish at the time of shipment. Should any defects develop within 5 years from the date of purchase, we will, at our discretion, consider repairing or replacing the defective part(s).

This warranty gives you specific legal rights, and you may also have other rights which vary from state to state. Some states do not allow the exclusions of limitations of incidental or consequential damages, so the above limitations or exclusions may not apply to you. For warranty claims or questions, contact Pelham & White at (855)-561-5222.

In event of a defect

In the event of a defect covered by the limited warranties contained herein, you must notify your authorized Pelham & White representative within 30 days after the date of the occurrence of the defect, and such representative will repair or otherwise correct the defect within a reasonable time in accordance with and after subject to the terms and conditions set forth herein. Pelham & White shall not be liable for (a) the cost of shipping or otherwise transporting parts and materials necessary to correct any defect and (b) any direct, indirect, incidental or consequential damages, (c) all tubs are thoroughly inspected for defects prior to shipment and a follow up inspection is required after receiving the tub. Thus, the Pelham & White warranty will not cover the cost associated with the removal and reinstallation of a defective bathtub.

Non-Transferrable

The limited warranties contained herein are not transferable or enforceable by any party other than the original purchaser (user).

Transportation & Delivery

The limited warranties contained herein shall not apply to damage or any problem caused by improper handling of the tub to the purchaser or any subsequent movement of the tub by the purchaser. Purchaser is responsible for all warranty related freight charges.

Property Damage

The limited warranties contained herein shall not cover property damage due to water. The responsibility of water damage is solely that of the installer or owner as we recommend a pre-install water test in our installation section.

Disclaimer

Authorized Pelham & White representatives are not agents of Pelham & White, and no agent, dealer, or representative, salesperson or other person is authorized to change, modify, expand or extend the limited warranties contained herein, or to bind Pelham & White or any of its authorized representatives to be held for injury or damage to any person or property for any claim, regardless of manner in which claims arise.

All measurements are approximations and should be used for reference only. Pelham & White reserves the right to make specification changes without notice or obligation, and to change or discontinue models and finishes. All rights reserved. © Pelham & White 2023

Before you begin:

- Observe all local plumbing/building codes and ensure flooring support is adequate. Installation of backflow prevention must comply with local codes and regulations. In certain states models with handshower must be installed with a listed inline anti-scald device.
- Before you begin work, carefully uncrate and inspect the tub for any damage. If there is a problem, do not install the tub. Immediately report the problem to the dealer.
- Ensure the floor will support 1200 lbs. (This is the approximate weight of the tub filled with water and bather.)
- Carefully plan the moving of the bath into the installation area. These bathtubs may not easily fit through doorways.
- Before installation, ensure proper access to the final plumbing connections.

Safety instructions:

To reduce the risk of injury:

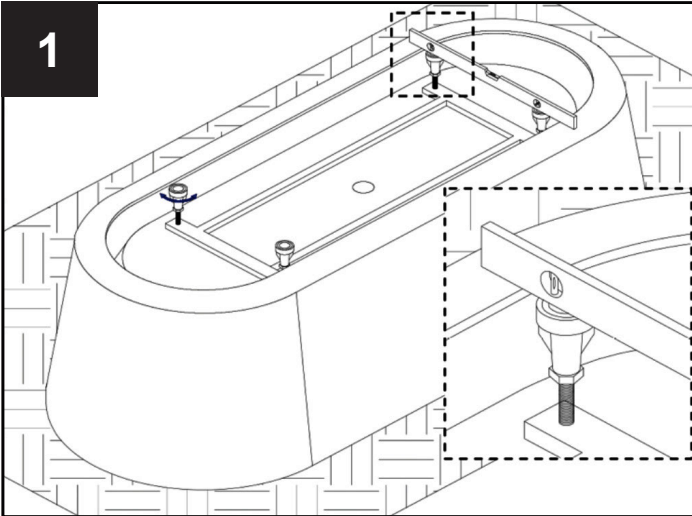
- Do not permit children to use this unit unless they are closely supervised by an adult at all times. Supervision is also required when the bath is used by an elderly or handicapped individual.
- Use this unit only for its intended use as described in this manual. Do not use attachments not recommended by the manufacturer.
- Since excessive water temperatures have a high potential for causing fetal damage during the early months of pregnancy, pregnant or possibly pregnant women should limit bath water temperatures to 38° C (100° F).
- The use of drugs or alcoholic beverages before or during bath use may lead to unconsciousness with the possibility of drowning.
- Persons with a medical history of heart disease, low or high blood pressure, circulatory system problems, or diabetes should consult a physician before using the bath.
- Persons using medication should consult a physician before using the bath since medication may induce drowsiness while other medication may affect heart rate, blood pressure and circulation.

DANGER: To reduce the risk of injury, enter and exit the bath slowly.

WARNING: Never operate electrical devices in or near the bath. Never drop or insert any object into any opening within the bath.

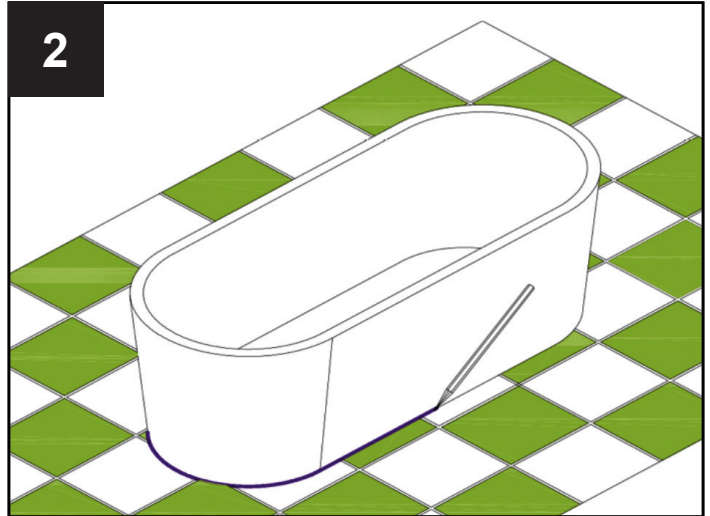
To avoid the possibility of personal injury and discoloration of the acrylic surface, the inlet water temperature should not exceed 60° C (140° F) and the bath should be drained after each use.

FREESTANDING TUB INSTALLATION

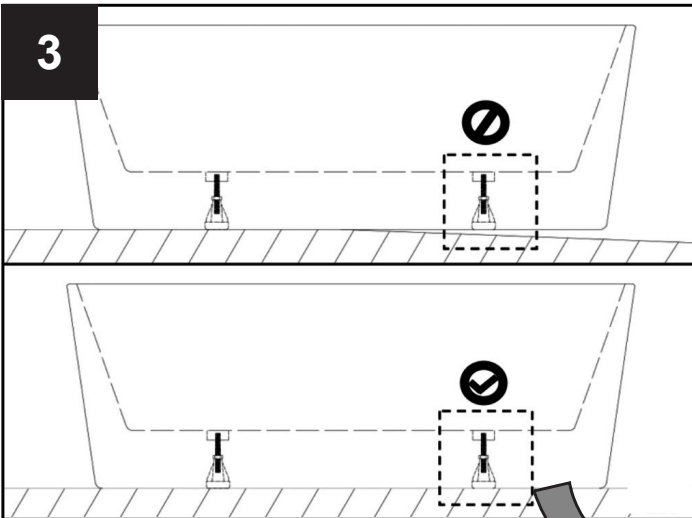


⚠ Assemble bath on a mat to protect against damage to bath surface.

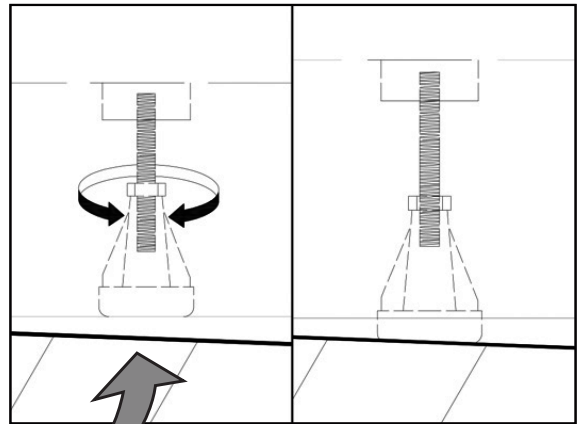
- Ensure legs are adjusted in line with the base of bath.



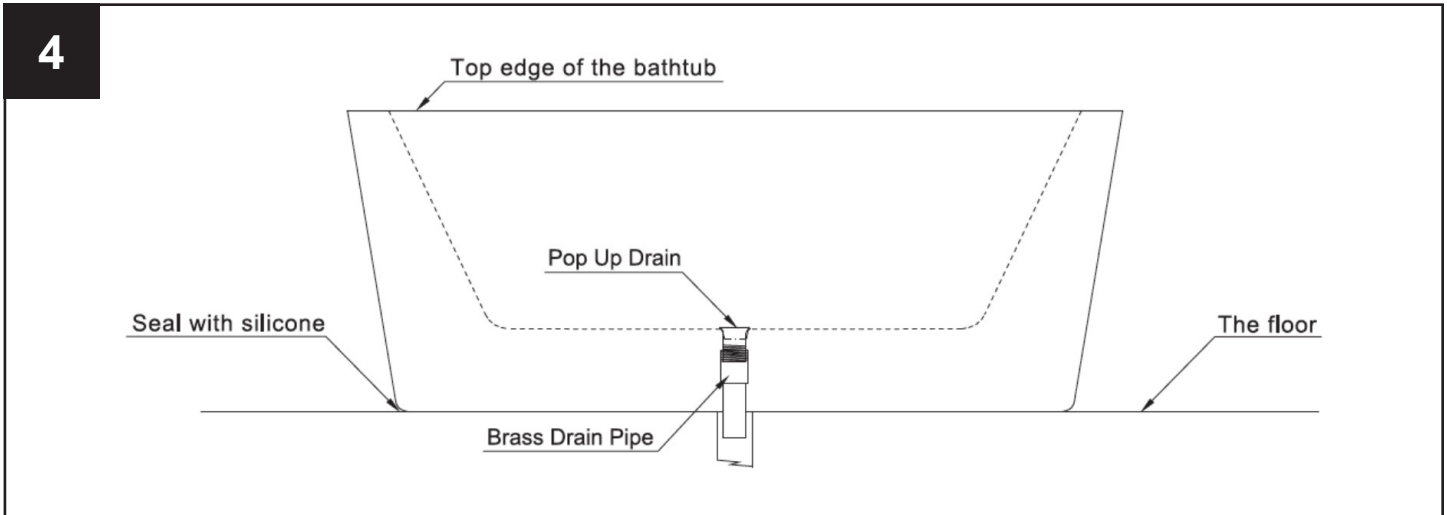
- Place tub in desired location, being sure to accommodate any plumbing needed for the faucet and drain. Mark the perimeter of the tub with a pencil or painter's tape.



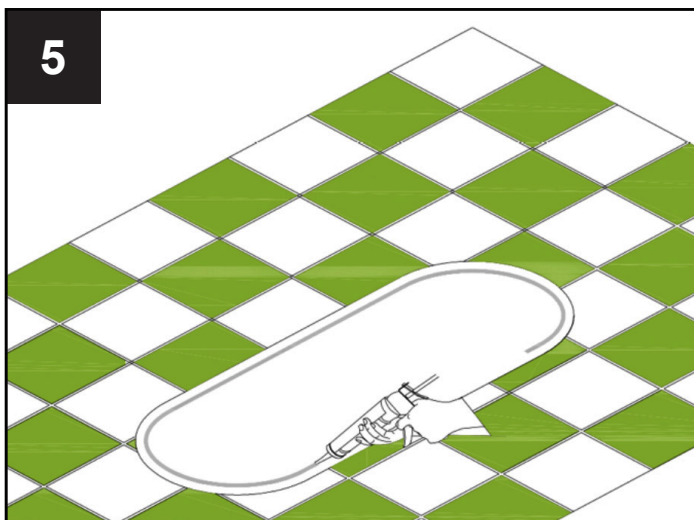
- Check that bath sits flat; if required adjust legs to compensate for floor level.



FREESTANDING TUB INSTALLATION SUPPLEMENT

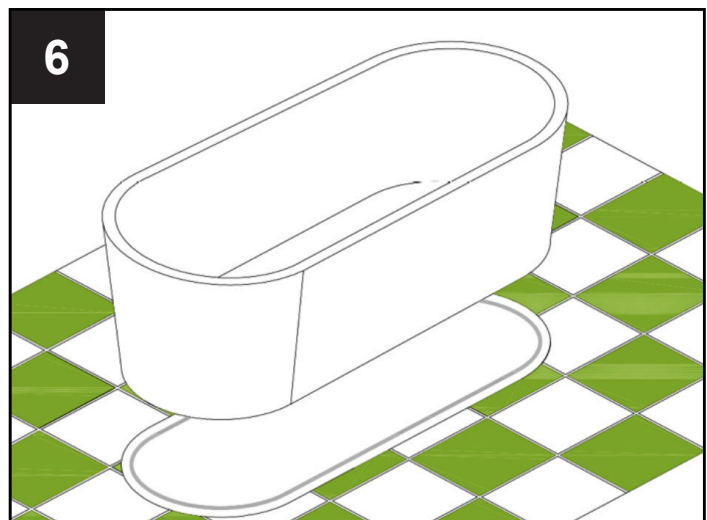


- Install the Brass Tub Drain to the tub. Make the necessary alterations to the floor to accommodate the tub drain and drain pipe, and enable the drain pipe to be connected to the drainage system as required by local code.



 **Use appropriate silicone for surface type.**

- Apply a thick bead of silicone within bath outline.



- Place tub back in the desired position, carefully pressing downward to allow the tub feet to contact the floor and the silicone to seal the low spots. Clean up the silicone bead.

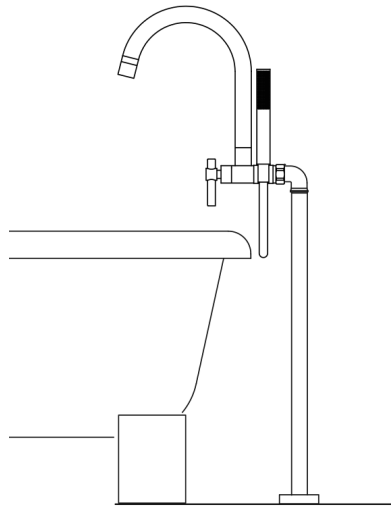
Do not touch or fill the tub for 24 hours to let the silicone fully cure.

7 Make the final connections from the tub drain pipe to the home's drainage system per local code.

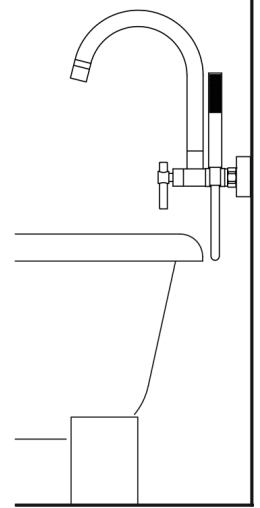
STEP 5 INSTALLING THE FAUCET

There are three styles and two faucet mounting methods.
Please refer to the appropriate page for your application.

CONTEMPORARY STYLE

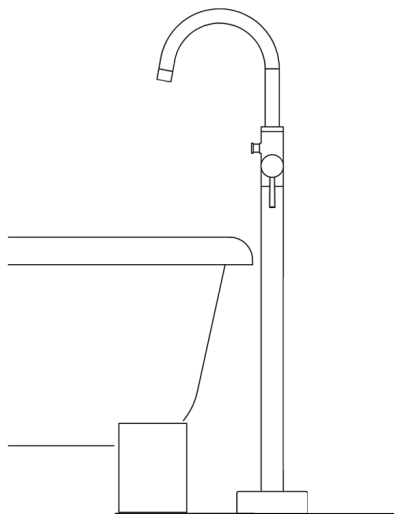


FLOOR MOUNT
see page 7

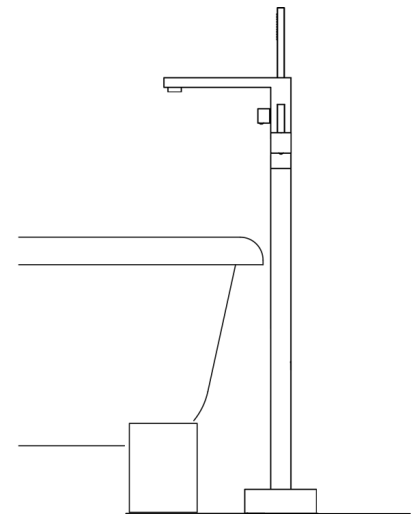


WALL MOUNT
see page 9

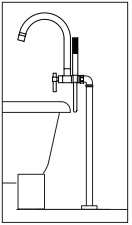
SINGLE-POST FILLER STYLE



SINGLE-POST TUBE
see page 11



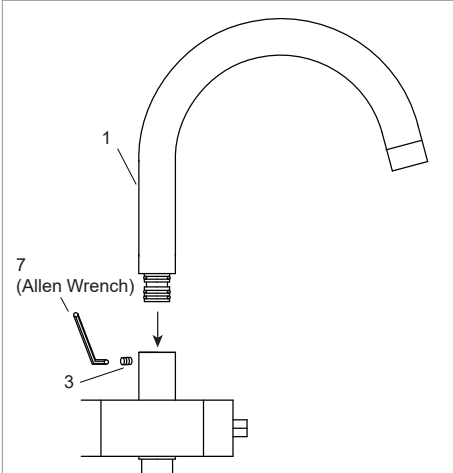
SINGLE-POST SQUARE
see page 11



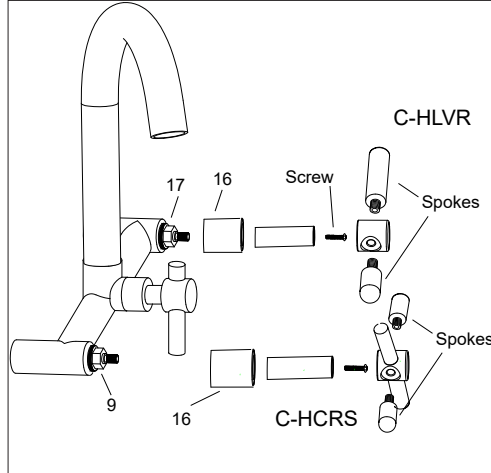
CONTEMPORARY FLOOR MOUNT TUB FAUCET

Notes:

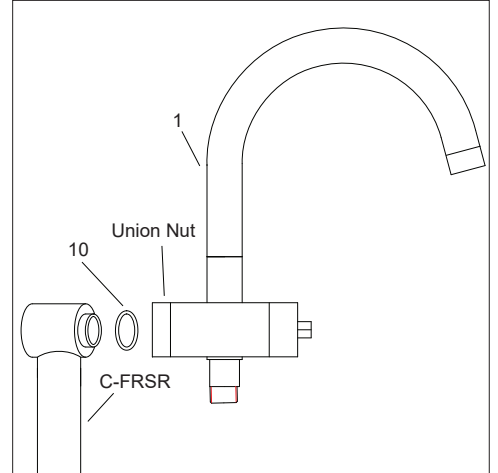
1. Faucet is not for use on concrete floors.
2. Please ensure all local plumbing codes are observed during installation
3. Water supply lines must be roughed in on 8" centers.



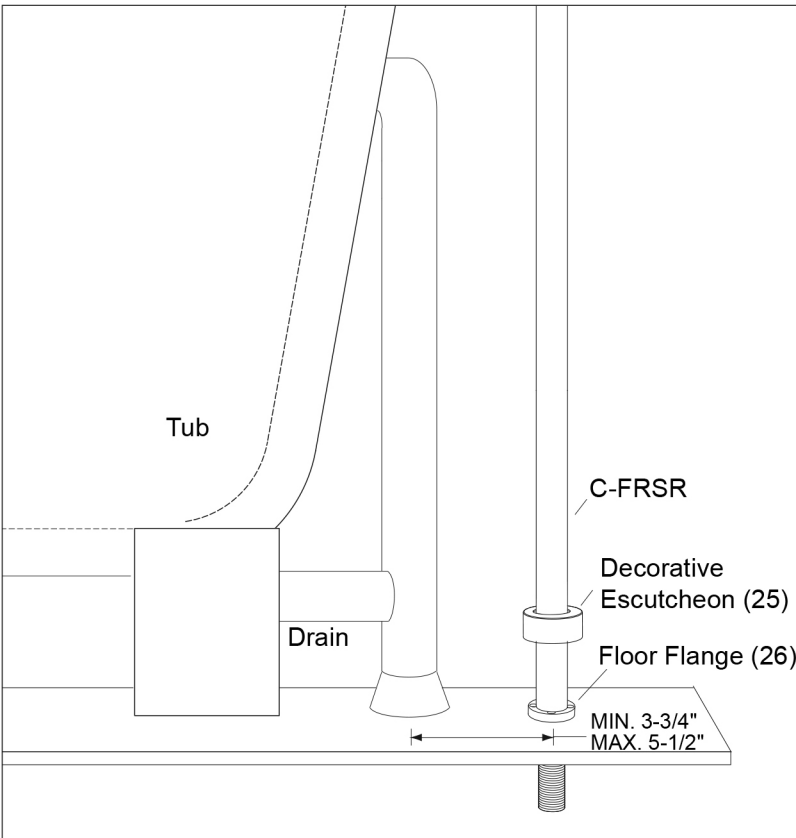
Step 1- Install #1 spout into faucet body by pushing straight down. Align spout facing forward then tighten with #3 allen screw (packaged separately with #7 allen wrench). Do Not Over Tighten.



Step 2- Screw #16 handle hub onto hot/cold cartridges #9 & #17. Disassemble handle by unscrewing spokes and install onto cartridge by securing with screw included. Reassemble handle.



Step 3- Attach hot and cold risers C-FRSR to union nuts on back of faucet body using one #10 rubber gasket on each riser.

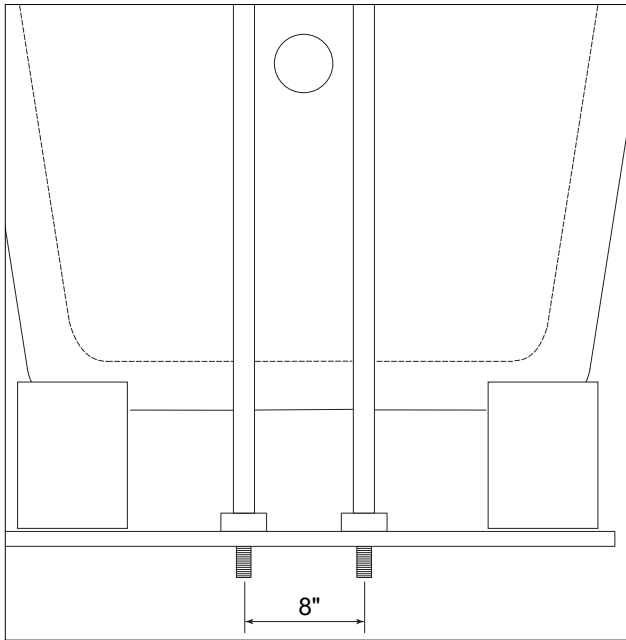
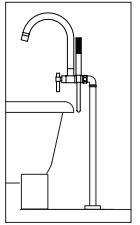


Step 4- Drill (2) 1-1/8" holes into floor on 8" centers for hot and cold water supplies (see fig. 5 next page). Supply holes should be drilled at 3 3/4" minimum to 5 1/2" maximum from drain outlet (center to center).

Step 5- Slide #25 decorative escutcheon onto bottom of risers C-FRSR and push part way up. Screw #26 floor flange onto threaded portion of each riser until it stops.

Step 6- Insert risers into hole in floor and secure floor flanges with appropriate screws/ bolts for your flooring type. (Hardware not included)

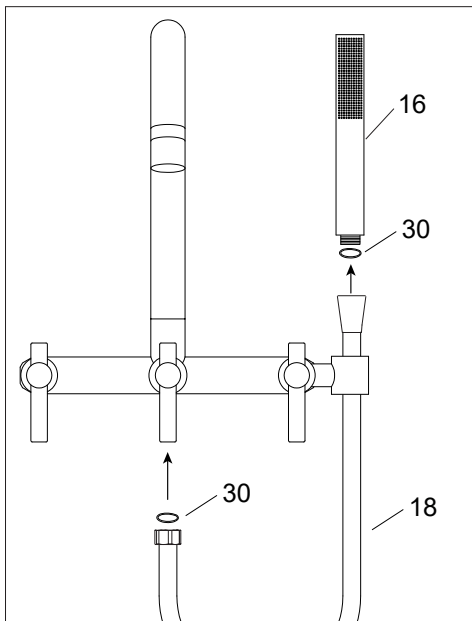
CONTEMPORARY FLOOR MOUNT TUB FAUCET (cont.)



Step 7- Slide #25 decorative escutcheon down to cover floor flange.

Step 8- Tighten optional support bracket to risers and drain

FIGURE 5 Supply line spacing

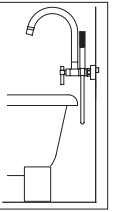


Step 9- Attach small end of #18 handshower hose with #30 washer to outlet below diverter faucet handle.

Step 10- Attach large end of #18 hand shower hose to #16 handshower with #30 washer and place in holder.

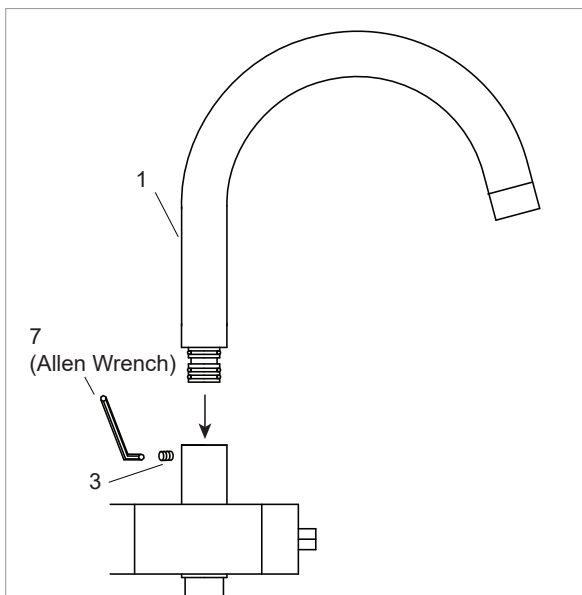
Step 11- Connect preferred 1/2" pipe (supplied by installer) into female threaded riser C-FRSR from under flooring. Make hot/cold water connections. Turn on water and check all connections for leaks.

CONTEMPORARY WALL MOUNT TUB FAUCET

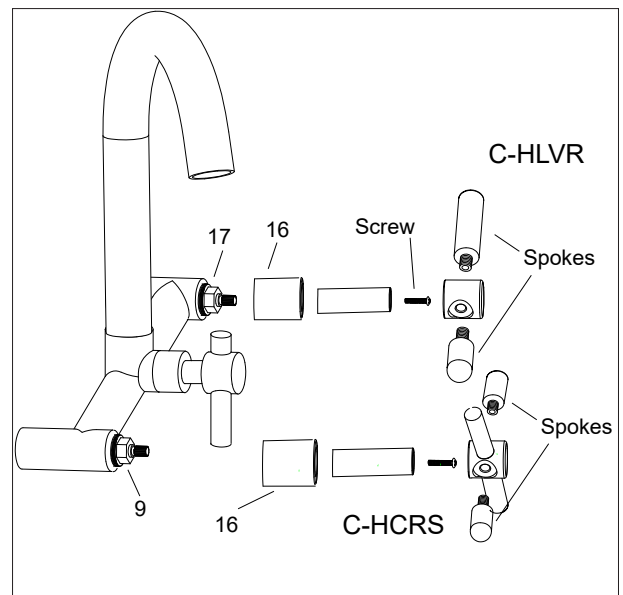


Notes:

1. Please ensure all local plumbing and building codes are observed when installing these faucets.
2. Mounting location depends on tub design and location. Be sure to identify tub height when determining faucet location.
3. There must be a minimum of 2" gap between top of tub rim and bottom of the faucet spout to comply with plumbing codes.
4. Water supply lines must be roughed in on 8" centers.

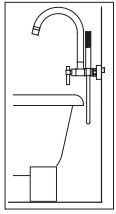


Step 1- Install #1 spout into faucet body by pushing straight down. Align spout facing forward then tighten with #3 allen screw (packaged separately with #7 allen wrench). Do Not Over Tighten.

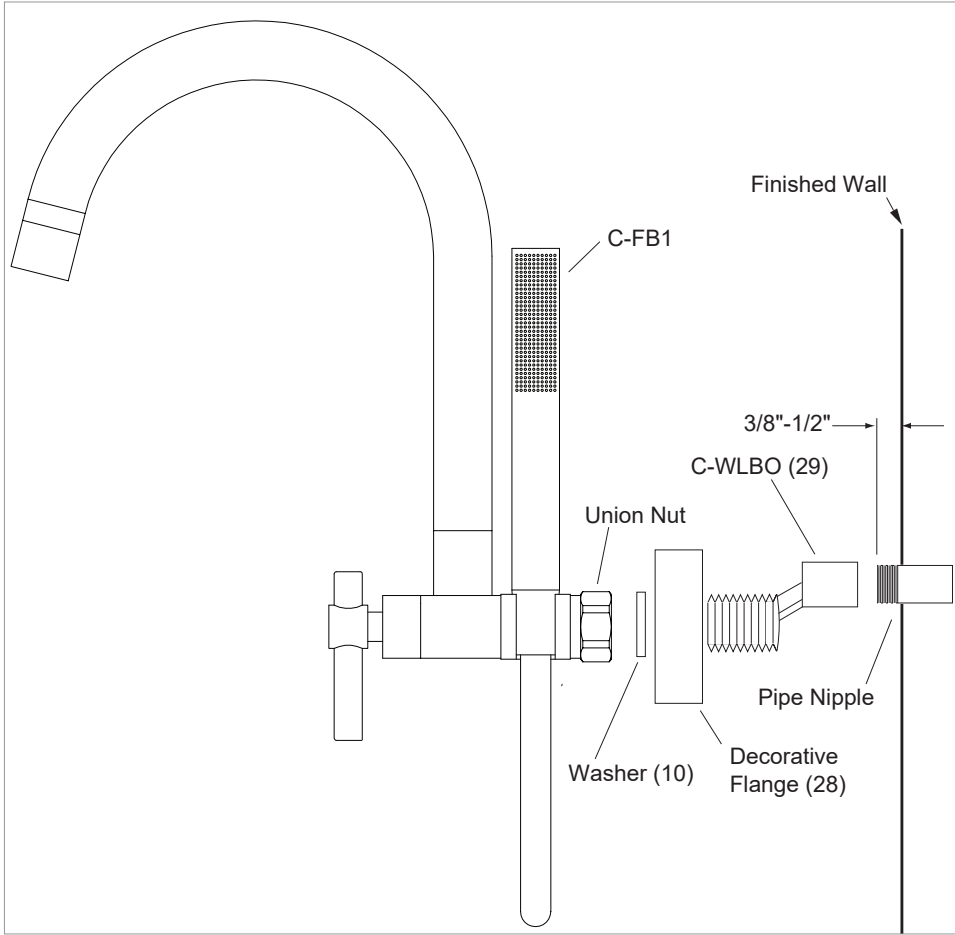


Step 2- Screw #16 handle hub onto hot/cold cartridges #9 & #17. Disassemble handle by unscrewing spokes and install onto cartridge by securing with screw included. Reassemble handle.





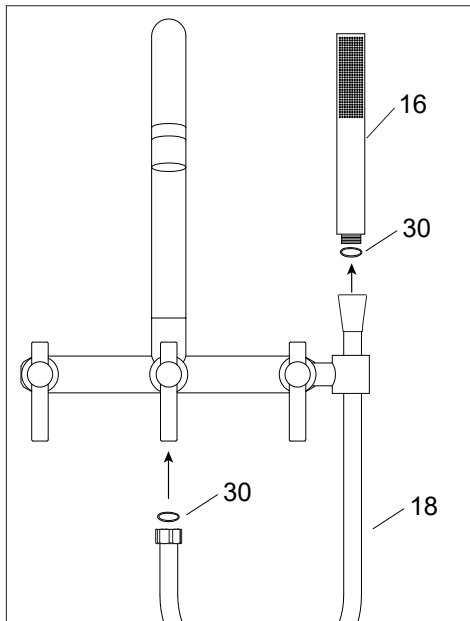
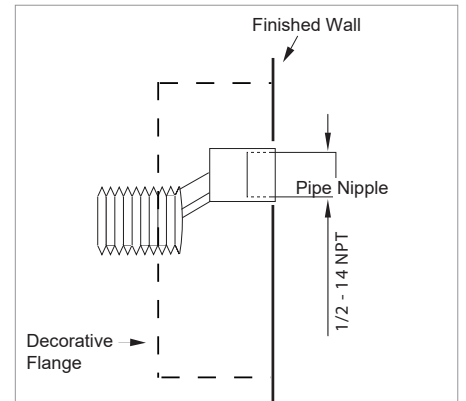
CONTEMPORARY WALL MOUNT TUB FAUCET (cont.)



Step 3: Rough-in #29 C-WLBO flush to finished wall. Hot/Cold supplies should be roughed in on 8" centers and 1/2" pipe should extend 3/8" to 1/2" beyond the finished wall.

Step 4: Screw #28 decorative flange included with C-WLBO onto rough portion of #29.

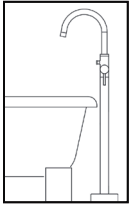
Step 5: Attach faucet to wall by screwing the union nuts onto the C-WLBO wall elbows with #10 washers.



Step 6- Attach small end of #18 handshower hose with #30 washer to outlet below diverter faucet handle.

Step 7- Attach large end of #18 hand shower hose to #16 handshower with #30 washer and place in holder.

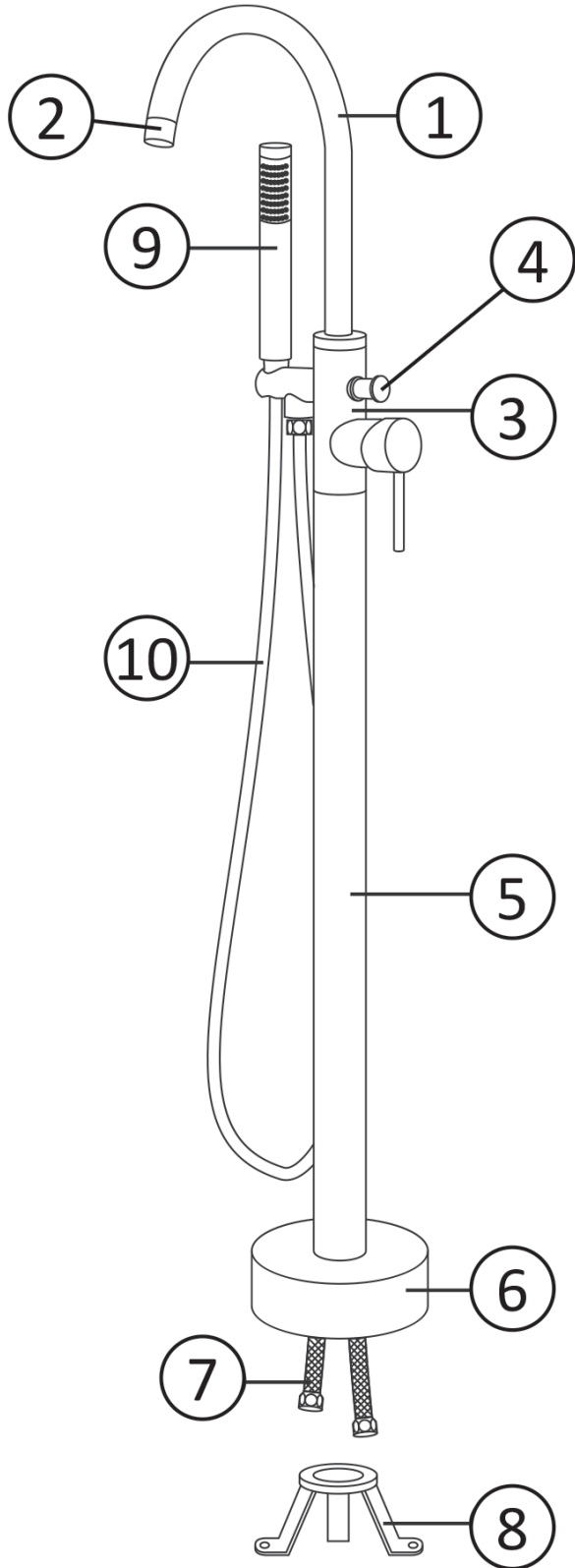
Step 8- Turn on water and check all connections for leaks.



SINGLE CONTROL FREESTANDING TUB FILLER INSTALLATION GUIDE

Note:

Carefully read this entire installation guide before installing and using this product.



Parts Identification

- 1. Spout
- 2. Aerator
- 3. Faucet Body
- 4. Diverter Button
- 5. Main Tube
- 6. Floor Escutcheon
- 7. Supply Hoses (2)
- 8. Floor Bracket
- 9. Handshower
- 10. Handshower Hose

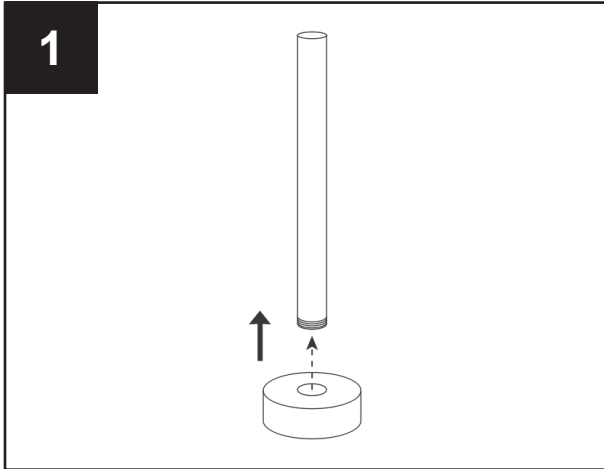
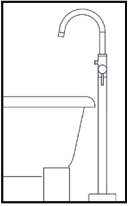
MODELS:
PW82424
PW82425
PW82426



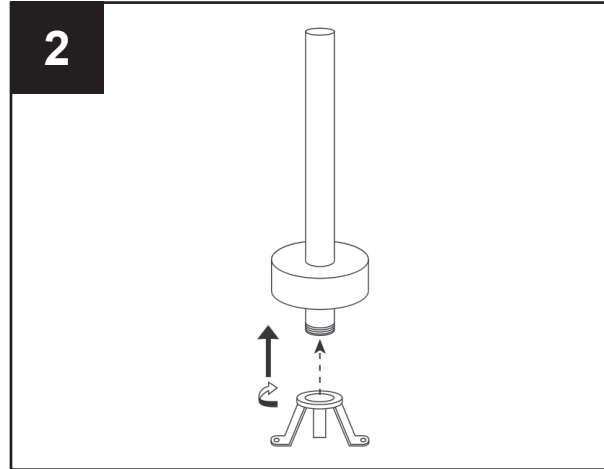
MODELS:
PW82427
PW82428
PW82429



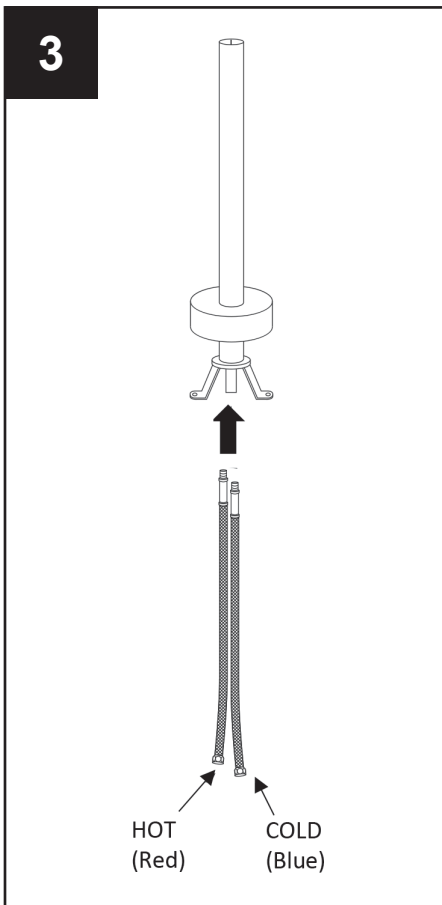
SINGLE CONTROL FREESTANDING TUB FILLER (CONT.) FAUCET ASSEMBLY



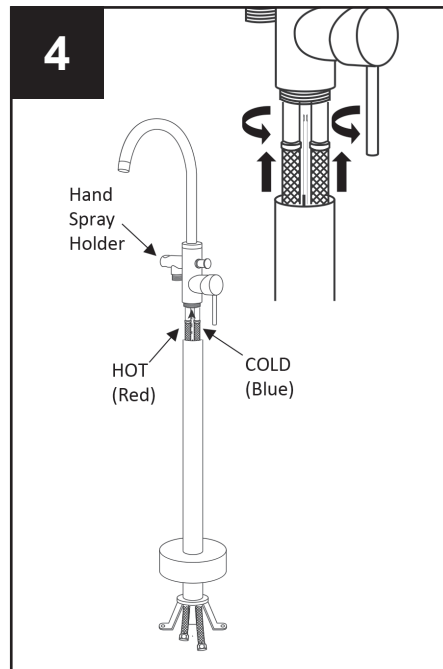
- Slide the Floor Escutcheon **(6)** over the externally threaded end of the Main Tube **(5)** as shown.



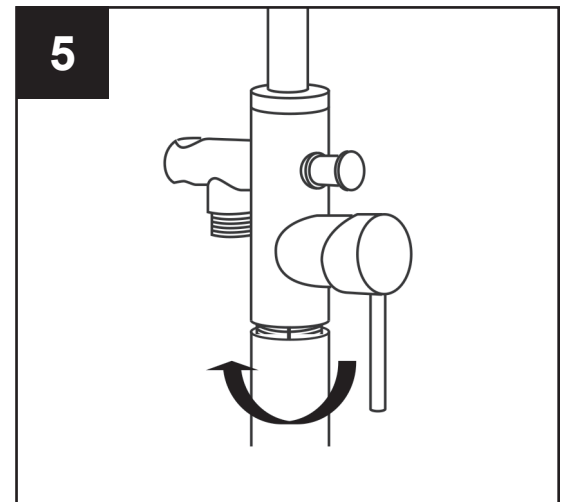
- Screw the Main Tube **(5)** onto the Floor Bracket **(8)**. Hand-tighten as firmly as possible.



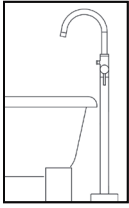
- Feed the Supply Hoses **(7)** up through the Main Tube **(5)** as shown.



- Thread the HOT supply hose all the way into the threaded hole in the bottom of the faucet body nearest the hand spray holder, and the COLD supply hose in the far hole. The connections on the Faucet Body are also marked H and C. Hand tighten or apply light torque with pliers. No need to overtighten.



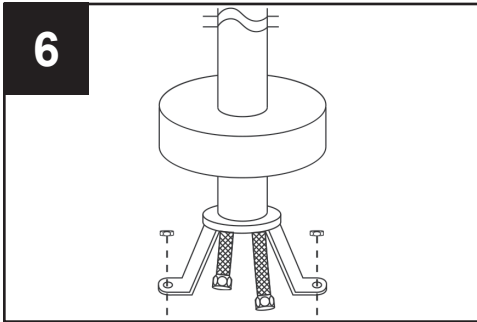
- Connect main tube to faucet body
- ROUND BODIES: Screw the Main Tube **(5)** onto the Faucet Body **(3)** and tighten firmly by hand.
- SQUARE BODIES: Slide the Faucet Body **(3)** fully into the end of Main Tube **(5)** that has the two setscrews. Orient the faces of the two pieces so that the two setscrews are directed toward where the faucet will be viewed the least. Secure by tightening the two setscrews. Do not over-tighten.



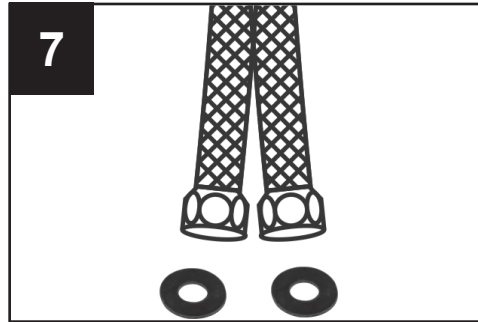
SINGLE CONTROL FREESTANDING TUB FILLER (CONT.) MOUNTING FAUCET TO FLOOR

Due to the various materials and conditions that may exist surrounding this installation, it will be the responsibility of the installer to select the location of the faucet, the appropriate fasteners to secure the faucet to the floor, and the roughing-in of the supply piping.

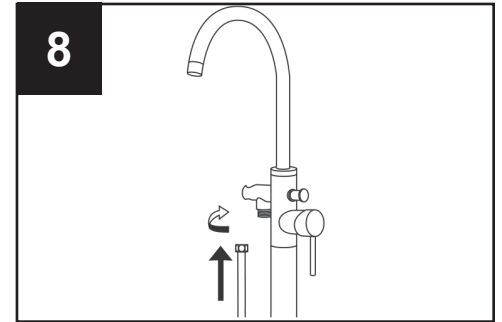
Be sure to orient the faucet so that the spout is in the correct direction and at the location that will enable the spout to flow water into the tub without hitting the rim of the tub.



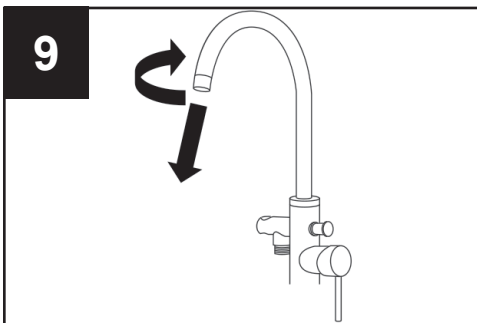
- Orient the faucet in correct position in relation to the tub.
- Secure the Floor Bracket (8) to the floor using the appropriate fasteners.



- Connect the Supply Hoses (7) to the roughed-in hot and cold piping. Be sure the black rubber washers are in place. The thread on the hose swivel nuts is $\frac{1}{2}$ x 14TPI.



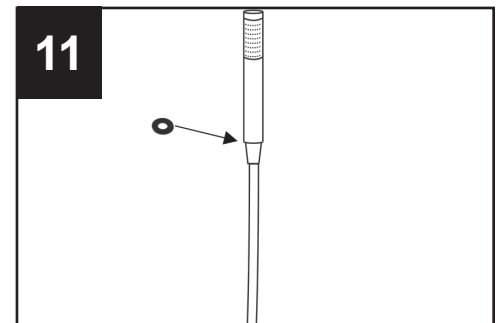
- Connect the Handshower Hose (10) to the Faucet Body (3). Be sure the black rubber washer is in place. Hand-tighten as firmly as possible. **Do not connect the Handspray yet.**



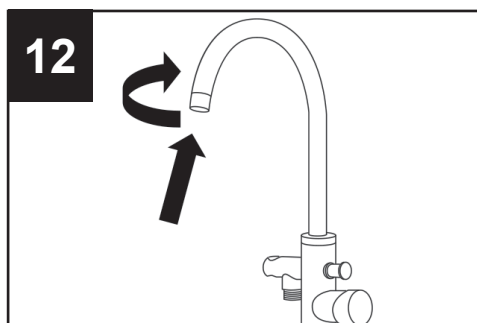
- Unscrew and remove the Aerator (2) at the end of the spout. **Turn the faucet off.**
- Place Handshower Hose (10) in an empty bucket and secure.

10 TEST & FLUSH LINES

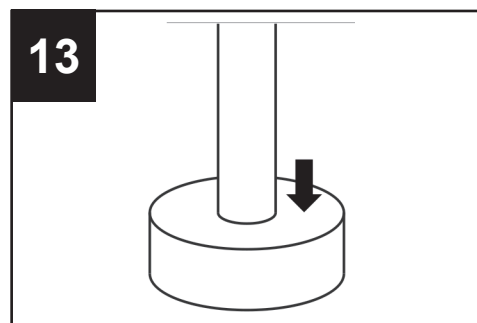
- Turn on the water supplies. Check for leaks.
- Turn the faucet on (hot and cold) and flush the lines of debris.
- Hold the Handshower Hose in a bucket, push the diverter button and flush that line.



- Connect the Handshower Hose (8) to the Handshower (7).
- Be sure the black rubber washer is in place. Hand-tighten firmly.



- Re-install the aerator at the end of the spout. Be sure the black rubber washer is in place. Hand-tighten firmly.



- Slide the Floor Escutcheon (4) down to the floor and seal with silicone caulk.

CLEANING & MAINTAINING YOUR BATHTUB

Cleaning:

Faucets and acrylic tubs are very easy to clean and most dirt will simply wash off with clean water. We recommend using mild liquid dish washing soap such as Joy or Palmolive with a soft cloth or sponge. Never, under any circumstances, clean your plumbing fixtures with an abrasive cleaner or applicator, such as Scrubbing Bubbles, Comet or Scotch-Brite Pads.

Do not allow the tub or faucet's surface to come into contact with products such as acetone (nail polish remover), dry cleaning solution, paint remover or any type thinner. Use of these or any other harsh chemicals will destroy the acrylic and/or finish and will void your warranty.

The installation and service of your tub should be performed only by a qualified service technician. When contacting your dealer, always have your serial number, proof of purchase and model number ready. This will ensure a quick response on warranty items.

NOTE: ALL WARRANTY REPAIRS MUST BE AUTHORIZED BY PELHAM & WHITE BEFORE WORK IS STARTED. FOR SERVICE, ALWAYS CONTACT YOUR DEALER.

Information in this document is subject to change without notice. Copyright© 2015 Pelham & White. All rights reserved. Reproduction in any manner without the written permission of Pelham & White is strictly forbidden. Trademarks and trade names used in this document refer to either the entities claiming the marks and names of their products. Pelham & White disclaims any proprietary interest in trademarks and trade names other than its own.



PELHAM & WHITE



PELHAM & WHITE

Contact information

Pelham & White

548 South Columbus Avenue

Mount Vernon, New York 10550

Phone: 855-561-5222

Email: info@pelhamandwhite.com