



PELHAM & WHITE

FINE FIRECLAY SINK INSTALLATION GUIDE

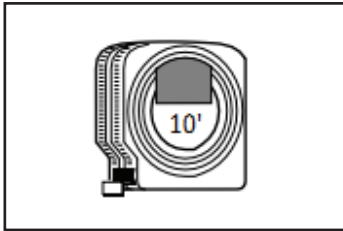
Unpack and inspect your sink upon delivery to avoid costly contractor delays.



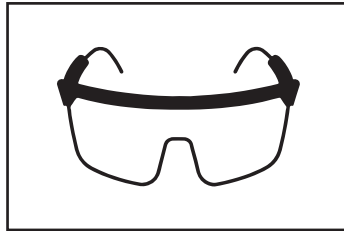
This sink is intended only for under-counter or apron front installations of solid-surface composite or natural stone countertops. It is highly recommended that this product be installed by professionals.



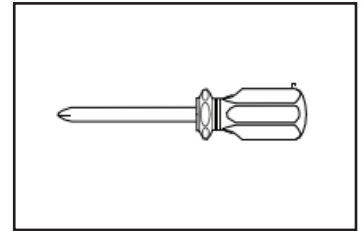
Recommended Materials & Tools



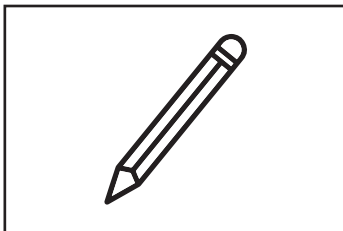
Tape Measure



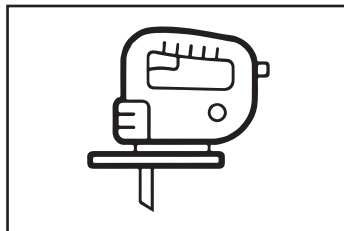
Safety Goggles



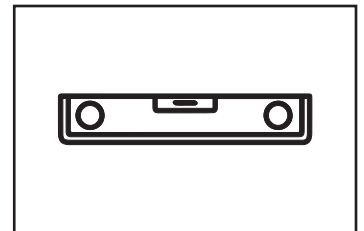
Phillips Screwdrivers



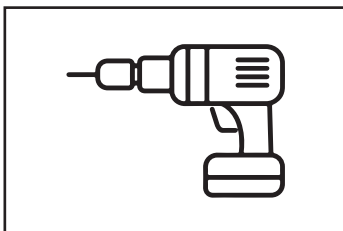
Pencil



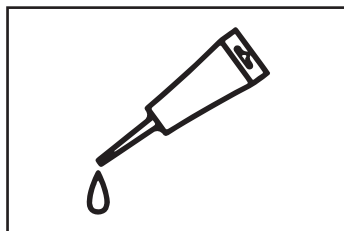
Jigsaw



Level



Drill



Silicone Adhesive

Farmhouse Sink Installation Guide

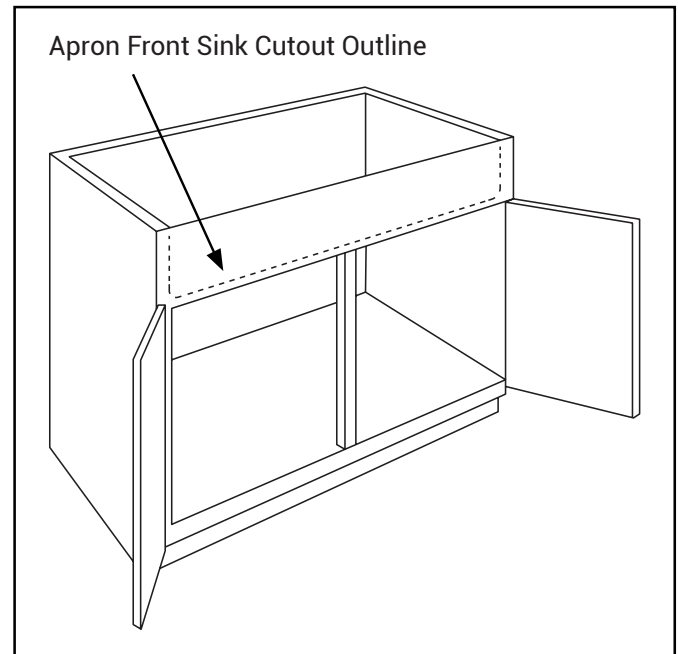
Step 1

CABINET BASE PREPARATION

Take measurements of the sink, including the front apron, to determine its size. Proceed to cut the cabinet's face in order to create an opening for the sink to slide into.

To protect the cabinet and sink from any potential damage during the marking and cutting process, use painter's tape.

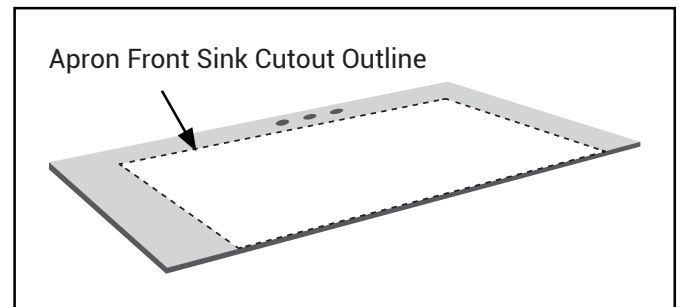
IMPORTANT: Pelham & White does not provide a cutout template for fireclay sinks. Prior to installation, discuss with your installer regarding the sink's desired appearance. It is crucial that the cabinet must not undergo any cutting or fabrication without the sink.



Step 2

COUNTERTOP PREPARATION

Accurately measure the sink, taking into account the dimensions of the front apron. Proceed to carefully cut the countertop to create a suitable opening that allows the sink to smoothly slide into place.



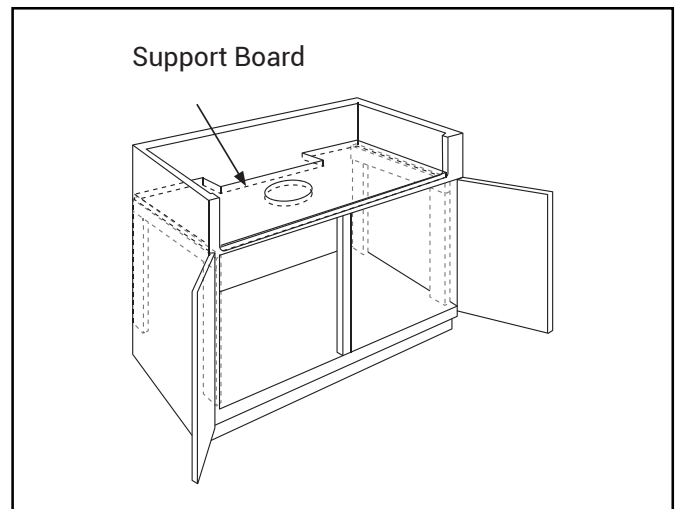
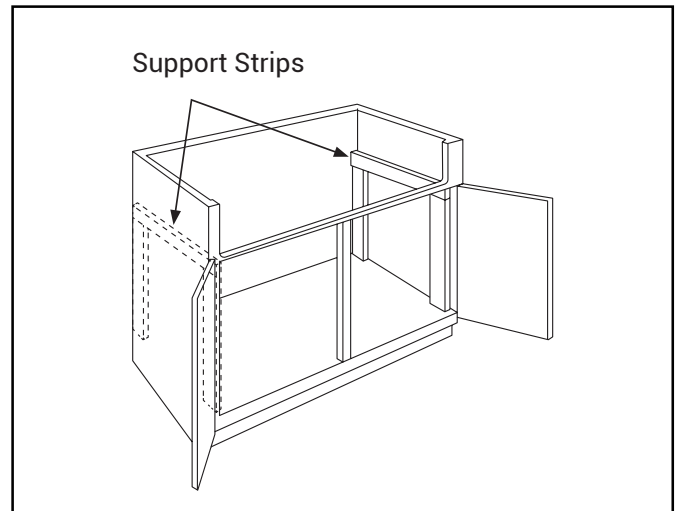
Step 3

CABINET + SUPPORT FRAME CONSTRUCTION

This step is crucial to ensure that the bottom of the sink is properly supported.

Build a wooden support frame that will fit within the cabinet opening. Make sure that there is enough clearance provided to accommodate the water supply lines and drainage system. The illustration on the right shows the recommended design for the support frame, comprising four vertical supporting strips, two horizontal supporting strips, and one supporting board. Please note that your installer may suggest an alternative support frame design to meet specific requirements.

IMPORTANT: Both the base cabinet and wood support frame are integral for a proper installation. It is important to note that when the sink is filled to capacity, it weighs approximately 300 lbs. Therefore, the base cabinet and support frame must provide ample support to withstand this weight effectively.

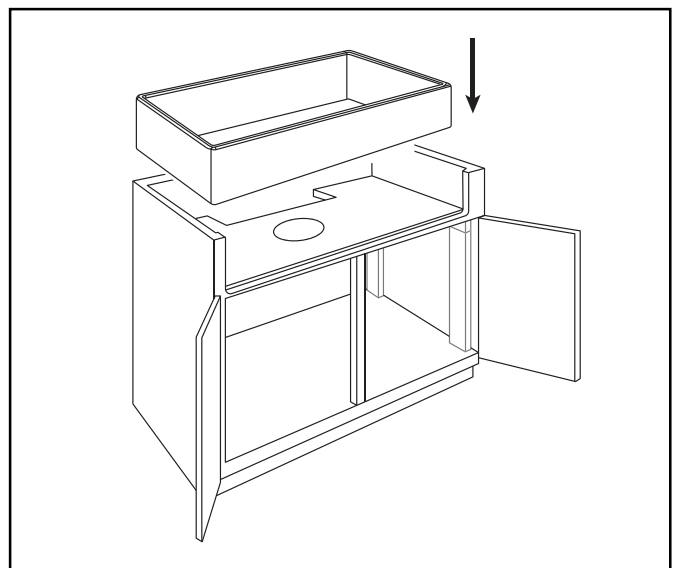


Step 4

SINK INSTALLATION

With the assistance of another person, carefully lift the sink and position it into place. Make sure that the sink fits within the cabinet opening and rests securely on the supporting system. Once placed, verify the levelness of the sink to ensure proper drainage.

IMPORTANT: There is a risk of personal injury or product damage. Please exercise caution and handle with care. This product is susceptible to breakage, chipping, and can potentially cause injury or damage if mishandled.



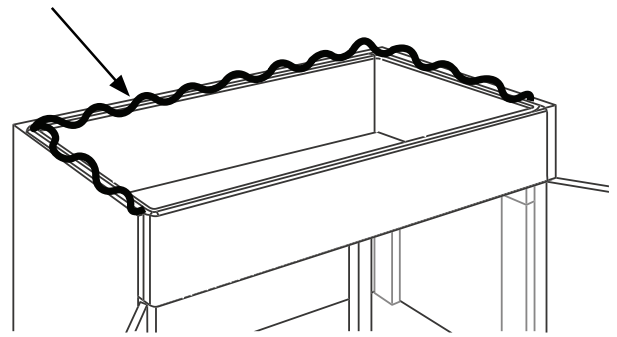
COUNTERTOP INSTALLATION

After the cleaning process is complete, proceed to apply a line of silicone sealant along the top flange (or lip) of the sink and the countertop. This will establish a secure and watertight seal. Promptly clean off any excess silicone.

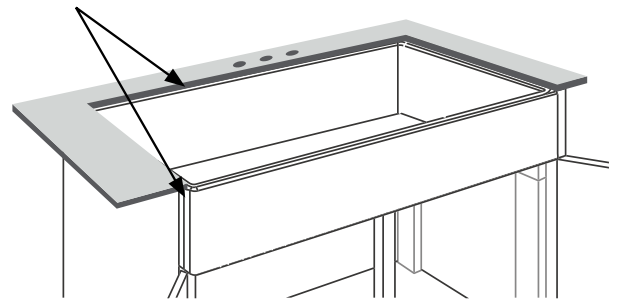
Take a moment to assess the appearance and confirm that the sink is level.

IMPORTANT: Apron front sinks from should only be fastened to a solid surface countertop.

Apply Silicone Sealant After Cleaning the Sink Edge and Countertop



Apply Silicone Sealant Where the Sink Meets the Countertop and Cabinet



Limited Warranty

Pelham & White products are manufactured with superior quality standards and workmanship and are backed by our limited lifetime warranty. Our limited lifetime warranty covers all residential applications and our limited one-year warranty covers all commercial applications. We will replace free of charge any product or parts that prove defective. Our warranties are extended exclusively to the original purchaser or owner covering defects in material and workmanship. Damage caused by accident, misuse, or abuse is not covered by this warranty, as is damage done by disregarding the care recommendations provided in the installation instructions, or improper installation. This warranty may not cover products not installed by a qualified professional installer. Our warranty covers the replacement of the defective product only and does not cover installation or other consequential costs or damages. Proof of purchase (original sales receipt P&W) from the original consumer purchaser must be made available for all Pelham & White warranty claims. Authorized Pelham & White representatives are not agents of Pelham & White, and no agent, dealer, representative, salesperson, or other person is authorized to change, modify, expand, or extend the limited warranties contained herein, or to bind Pelham & White or any of its authorized representatives to be held for injury or damage to any person or property for any claim, regardless of how claims arise. This warranty gives you specific legal rights, and you may also have other rights which vary from state to state. Some states do not allow the exclusions of limitations of incidental or consequential damages, so the above limitations or exclusions may not apply to you. For warranty claims or questions, contact Pelham & White at 855-561-5222. All measurements are approximations and should be used for reference only. Pelham & White reserves the right to make specification changes without notice or obligation, and to change or discontinue models and finishes. All rights reserved. © Pelham & White 2023.

