



PELHAM & WHITE

DUAL-MOUNT SINK INSTALLATION GUIDE

Unpack and inspect your sink upon delivery to avoid costly contractor delays

Please note that some components are boxed separately based on the product model you have chosen. Installation sheets and parts guide for additional components are included in those boxes separately.



- Pelham & White is not responsible for improper sink or countertop installations or for sink or countertop damage during installation.
- Sink edges may be sharp. Please use caution when handling.

IMPORTANT: FOR UNDER-MOUNT INSTALLATIONS

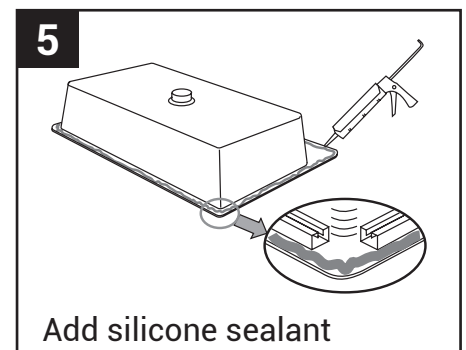
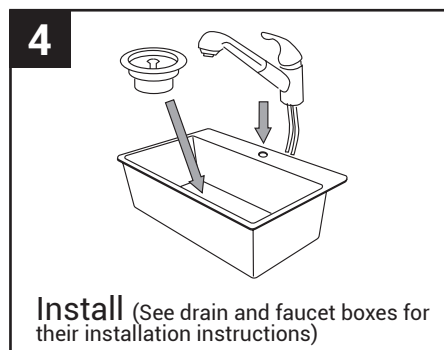
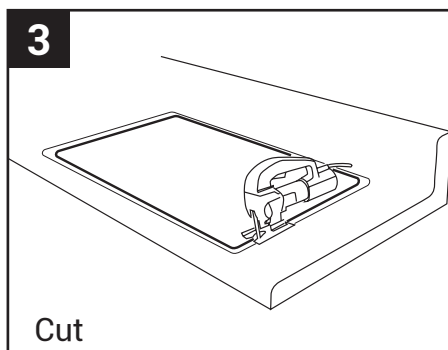
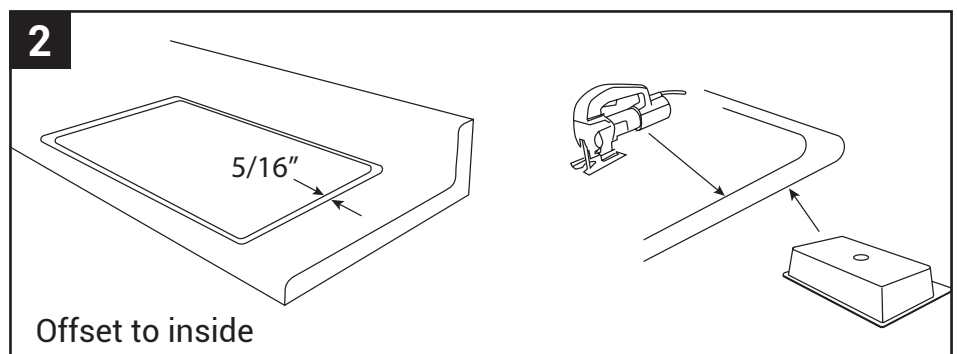
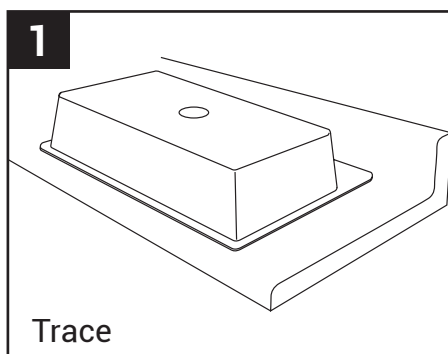
Pelham & White strongly recommends that under-mount installations be done by qualified countertop fabricators or installers

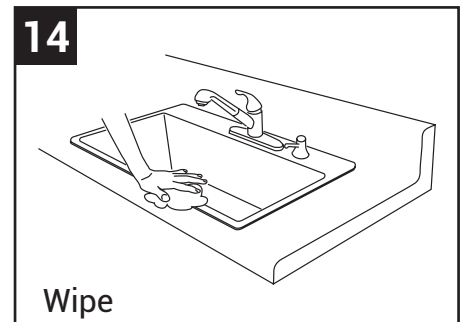
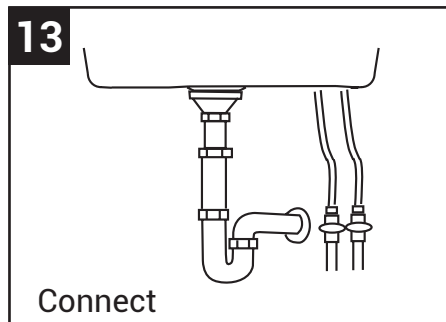
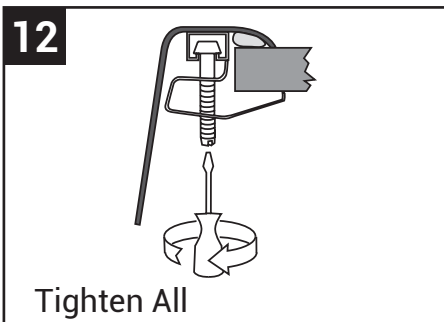
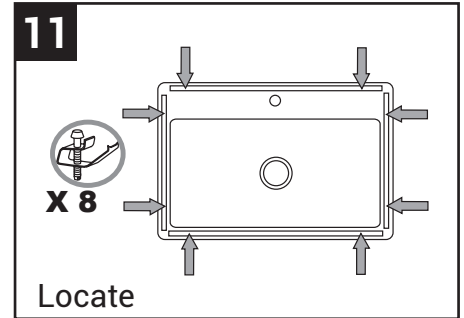
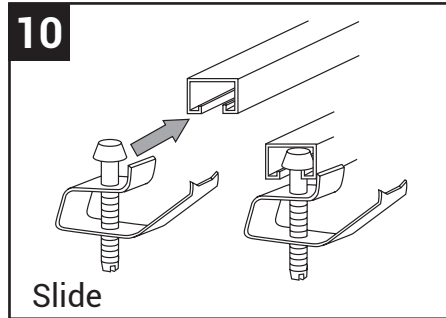
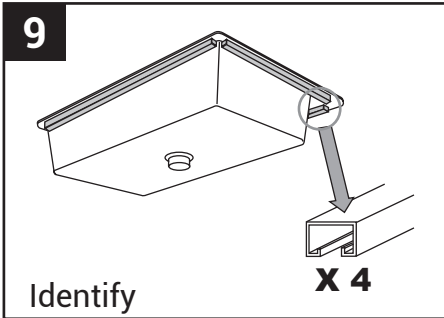
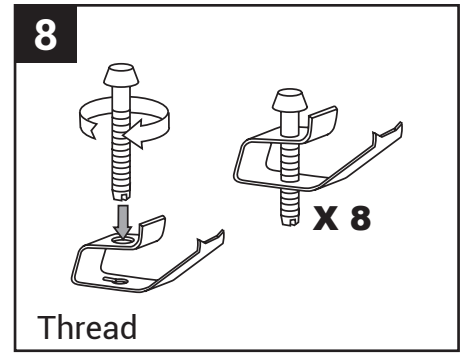
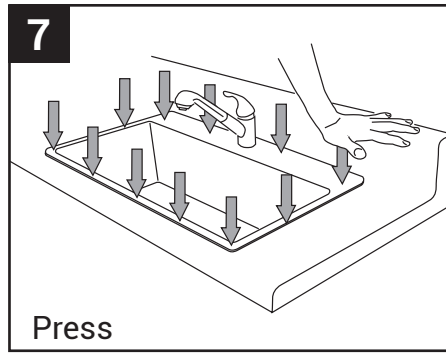
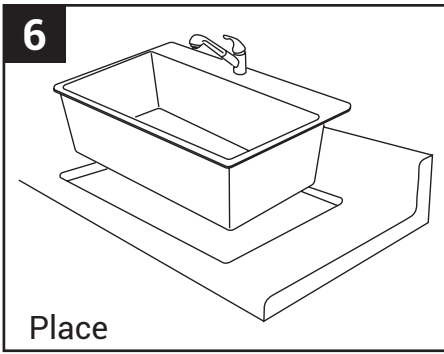
Using the fasteners and techniques appropriate to the specific installation and countertop material

FOR TOP-MOUNT INSTALLATIONS

Any templates furnished by Pelham & White either with the sink, or on it's website are for UNDERMOUNT applications only. Use the tracing method outlined below to determine the countertop cut-out for drop-in installations. Be sure to avoid any obstructions or dimensional issues when choosing the sink placement.

ASSEMBLY INSTRUCTIONS





Care

Stainless steel sinks are durable, but they do benefit from proper care. If you want your sink to always look it's best we recommend the following:

- Clean using a non-abrasive, mild detergent.
- Use only a sponge or soft cloth for cleaning.
- Avoid using steel wool cleaning anything in the sink.
- Remove any cast iron or steel pans after cleaning.
- Keep the sink clean, dry and empty when not in use.
- Don't leave sponges and other wet items in the sink.
- If you want to avoid water spots, wipe your sink dry after each use.

Warranty

Limited lifetime warranty on residential applications or limited one year for commercial applications extended to the original purchaser or owner covering defects in material and workmanship. Excluded is damage done to the surface by disregarding the care recommendations provided in the installation instructions, or improper installation. This warranty does not cover products not installed by a qualified professional installer. Warranty covers replacement of the defective product only and does not cover installation or other consequential costs or damages.

Pelham & White reserves the right to make specification and pricing changes without notice or obligation, and to change or discontinue models and finishes.



PELHAM & WHITE

548 South Columbus Avenue • Mount Vernon, New York 10550
1-855-561-5222 • www.pelhamandwhite.com

All rights reserved. Copyright Pelham & White 2024.