

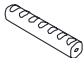





PELHAM & WHITE

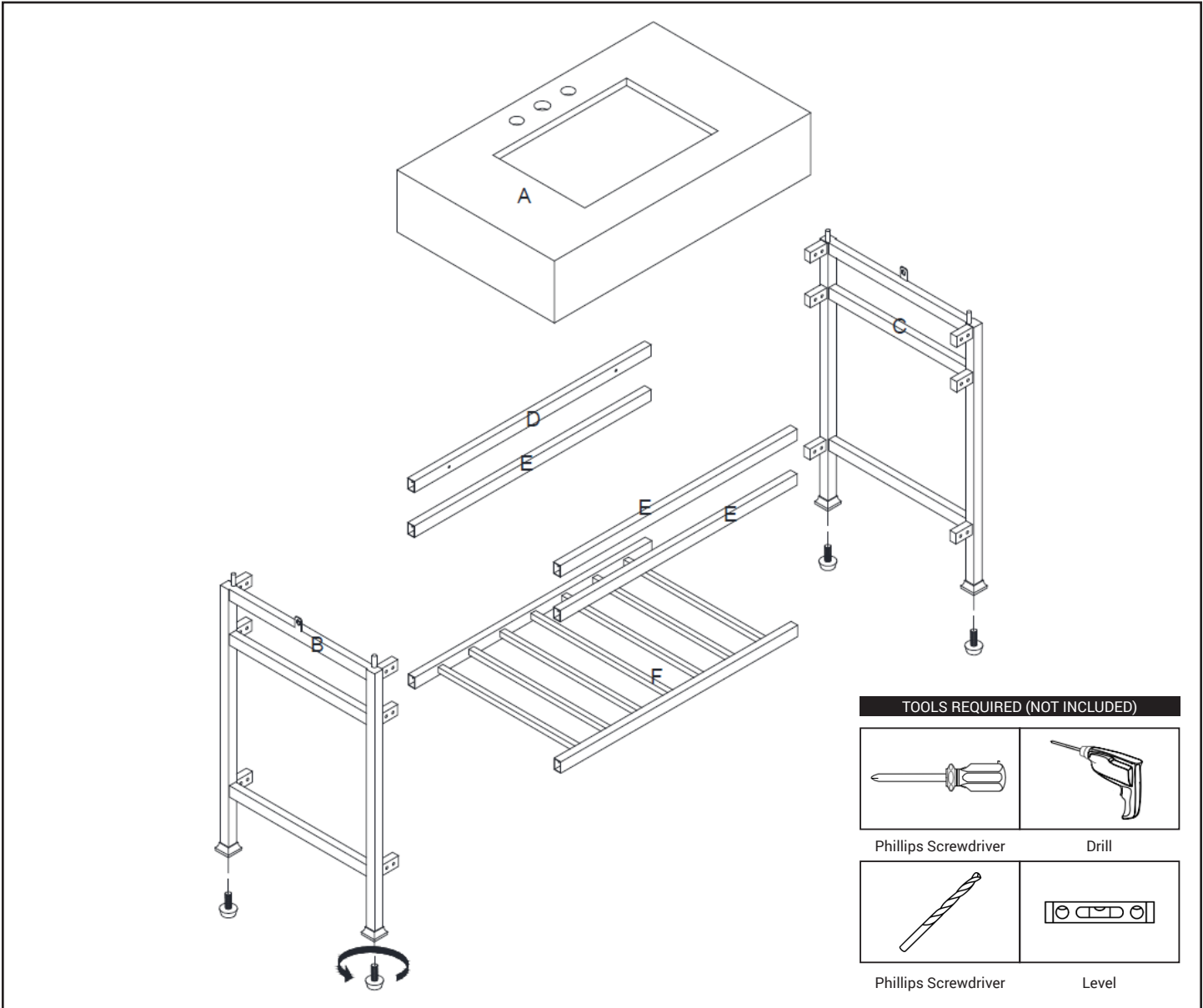
CONSOLE VANITY ASSEMBLY GUIDE (MODEL PWC1100)

**Hardware List**

1		Bolt	26 PCS
2		Screw	4 PCS
3		Anchor	4 PCS
4		Hex Wrench	1 PC

**Part List**

A	Vanity Top	1 PC
B	Switch Frame	1 PC
C	Frame	1 PC
D	Rear, Upper Cross Bar	1 PC
E	Cross Bar	3 PCS
F	Bottom Frame	1 PC



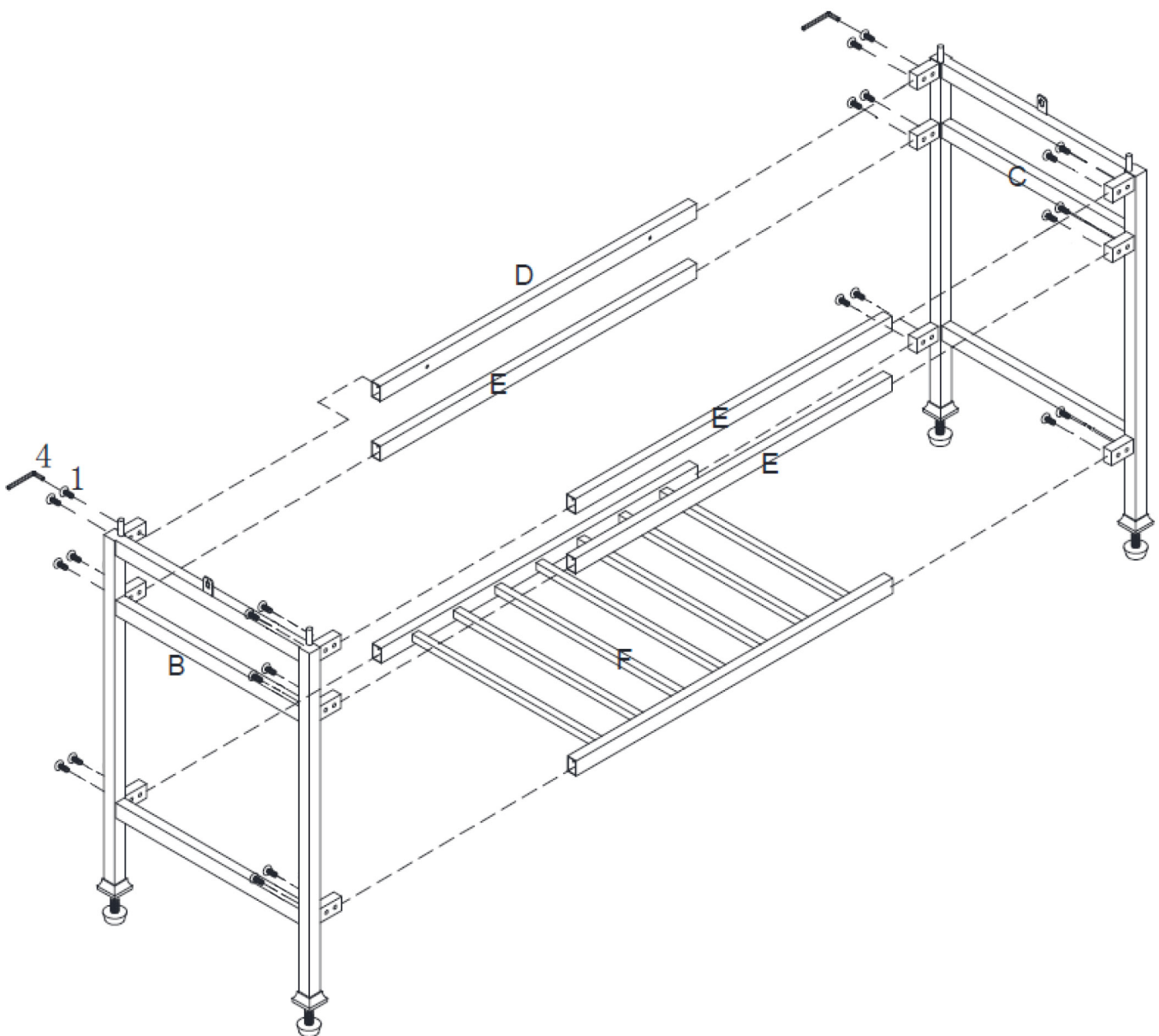
**TOOLS REQUIRED (NOT INCLUDED)**

- Phillips Screwdriver
- Drill
- Phillips Screwdriver
- Level

# Console Vanity Assembly Instructions

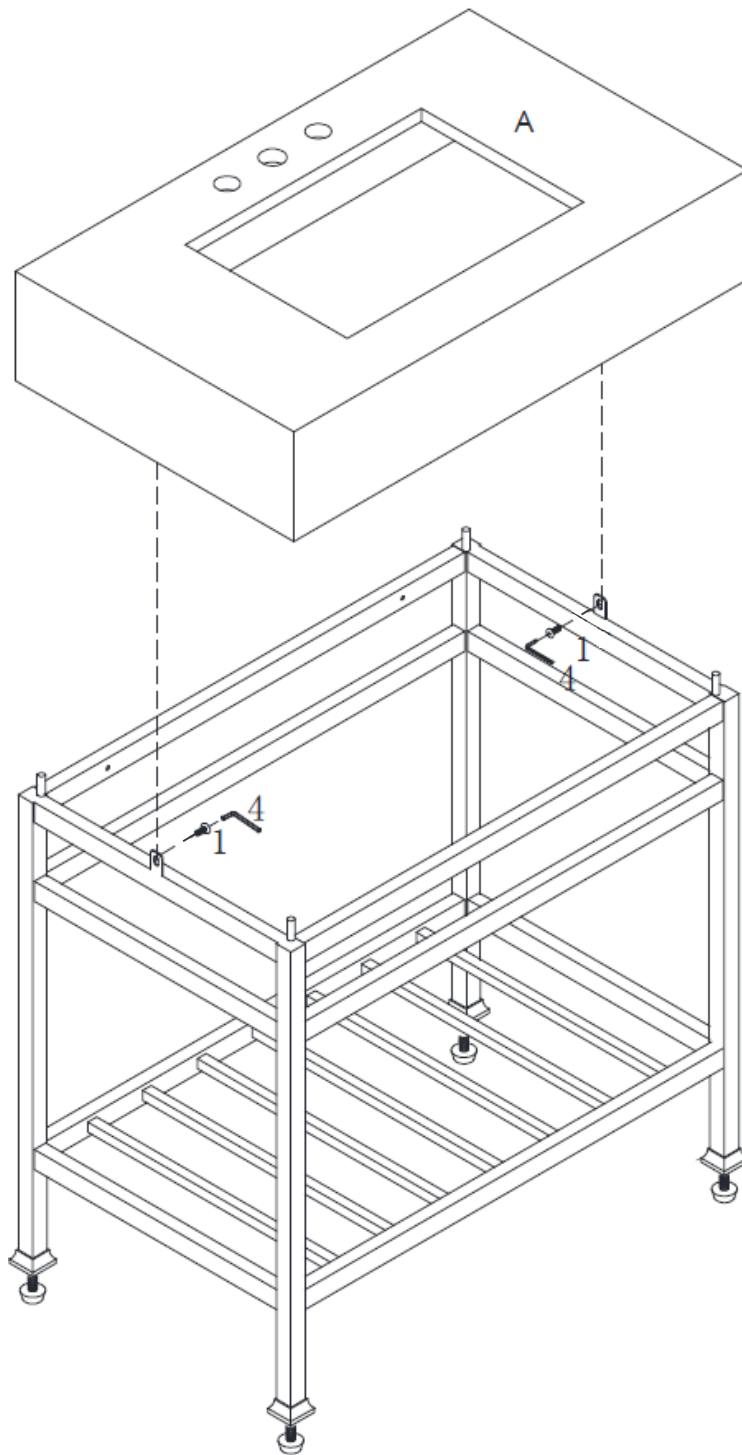
## STEP 1

- Attach the Rear, Upper Cross Bar (D), the Cross Bar (E) and Bottom Frame (F) to Switch Frame (B) and Frame (C), Use wrench (4) to tighten the Bolts (1), in each of the 24 holes.
- Do not over tighten.



## STEP 2

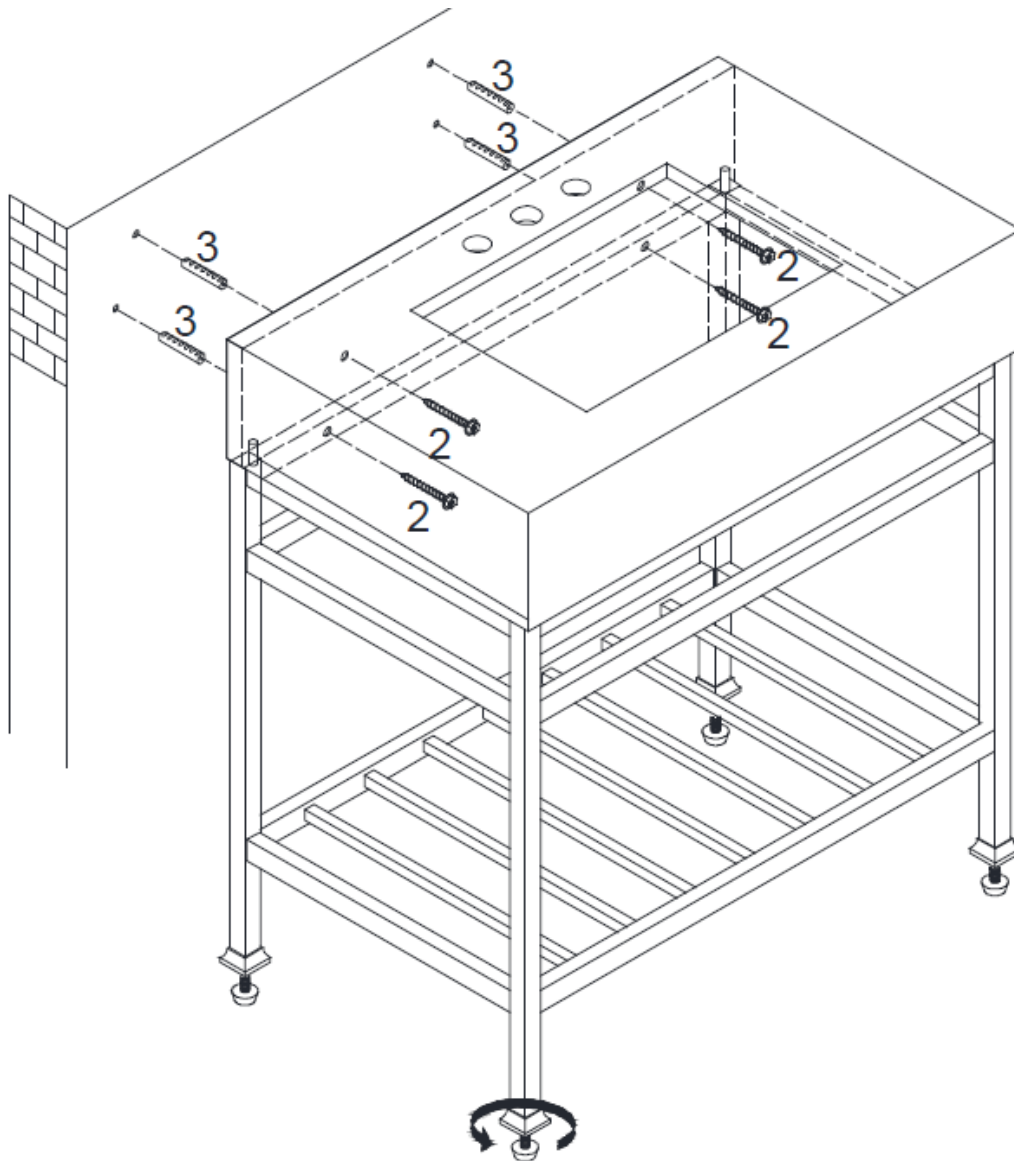
- Attached the vanity top (**A**) to the assembled unit.
- Use wrench (**4**) to tighten the Bolts (**1**) in each of 2 holes.
- Do not over tighten.



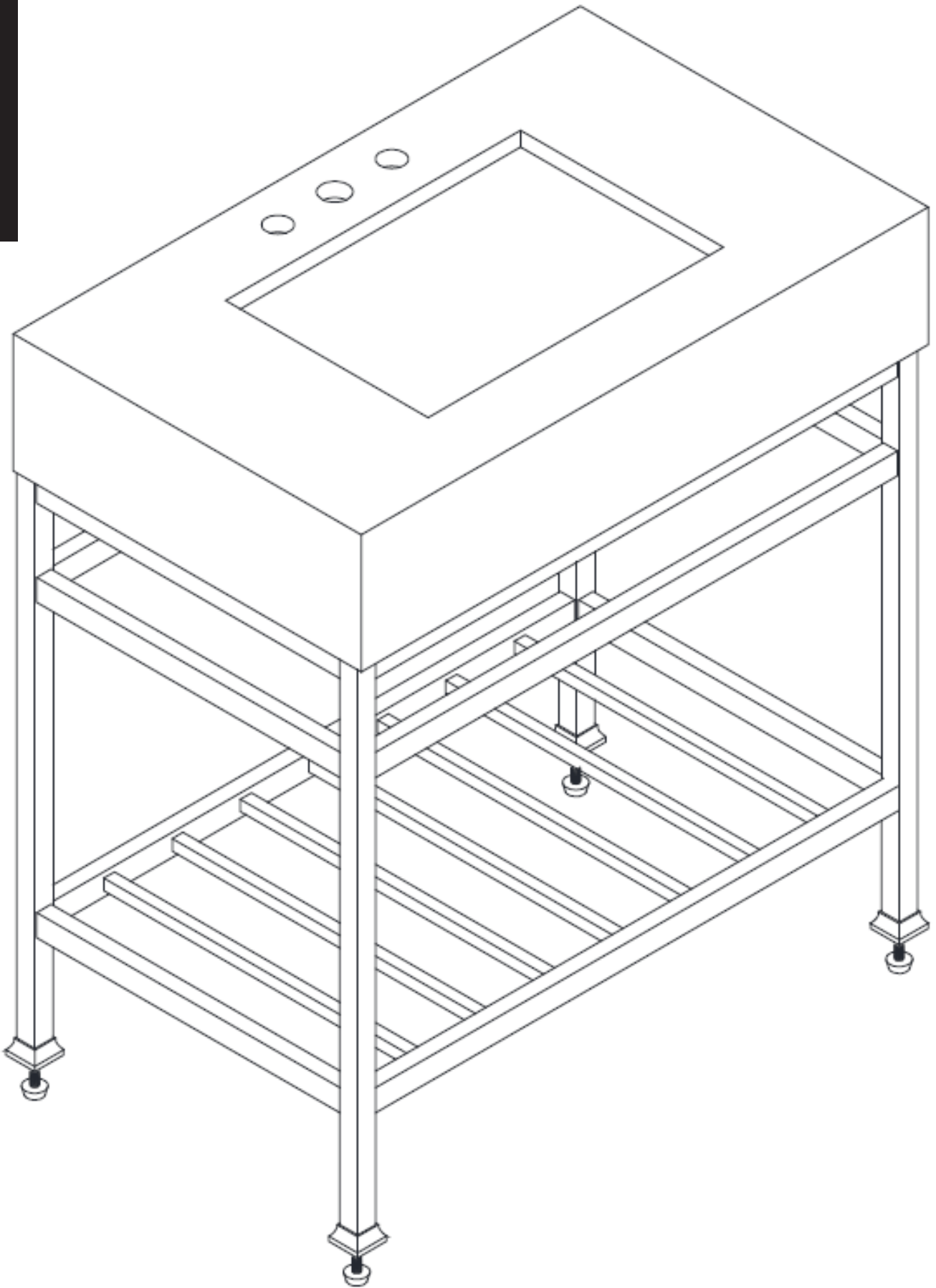
## STEP 3

- With the help of another person, move the assembly unit desired location and level the top by adjusting the threaded feet.
- Use a pencil (not included) to mark the pre-drilled holes on Vanity Top (A) or Rear, Upper Cross Bar (D) onto the wall.
- Set assembly unit aside. Use a 3/8" drill bit (not included) to drill 3/8" pilot hole on the marked location.
- Insert Anchors (3) into holes until they are flush with the wall, then move assembly unit back into position.
- Secure item to the wall by inserting the screws (2) through Vanity Top (A) or Rear, Upper Cross Bar (D) into the Anchors (3).

**NOTE:** Anchors are included, but be sure to use the appropriate anchors for the wall material.



COMPLETE



## Care and Cleaning Instructions

**For the best maintenance results we suggest the following practices:**

- Using a soft, mildly soaped warm cloth to clean.
- Never use abrasive scouring powders, cleaners, or pads because they will scratch, damage, and dull the sink's surface.

## Lifetime Warranty

Pelham & White products are manufactured with superior quality standards and workmanship and are backed by our limited lifetime warranty. Our limited lifetime warranty covers all residential applications and our limited one-year warranty covers all commercial applications. We will replace free of charge any product or parts that proves defective. Our warranties are extended exclusively to the original purchaser or owner covering defects in material and workmanship. Damage caused by accident, misuse, or abuse is not covered by this warranty, as is damage done by disregarding the care recommendations provided in the installation instructions, or improper installation. This warranty may not cover products not installed by a qualified professional installer.

Our warranty covers replacement of the defective product only and does not cover installation or other consequential costs or damages. Proof of purchase (original sales receipt) from the original consumer purchaser must be made available for all Pelham & White warranty claims. Authorized Pelham & White representatives are not agents of Pelham & White, and no agent, dealer, or representative, salesperson or other person is authorized to change, modify, expand or extend the limited warranties contained herein, or to bind Pelham & White or any of its authorized representatives to be held for injury or damage to any person or property for any claim, regardless of manner in which claims arise. This warranty gives you specific legal rights, and you may also have other rights which vary from state to state. Some states do not allow the exclusions of limitations of incidental or consequential damages, so the above limitations or exclusions may not apply to you.

For warranty claims or questions, contact Pelham & White at 855-561-5222. All measurements are approximations and should be used for reference only. Pelham & White reserves the right to make specification changes without notice or obligation, and to change or discontinue models and finishes.

All rights reserved. © Pelham & White 2022.

QUESTIONS? Contact us at  
**1-855-561-5222** or **orders@pelhamandwhite.com**



**PELHAM & WHITE**

548 South Columbus Avenue • Mount Vernon, New York 10550  
www.pelhamandwhite.com

(08/01/22) All rights reserved. Copyright Pelham & White 2022.